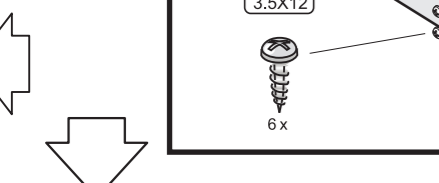
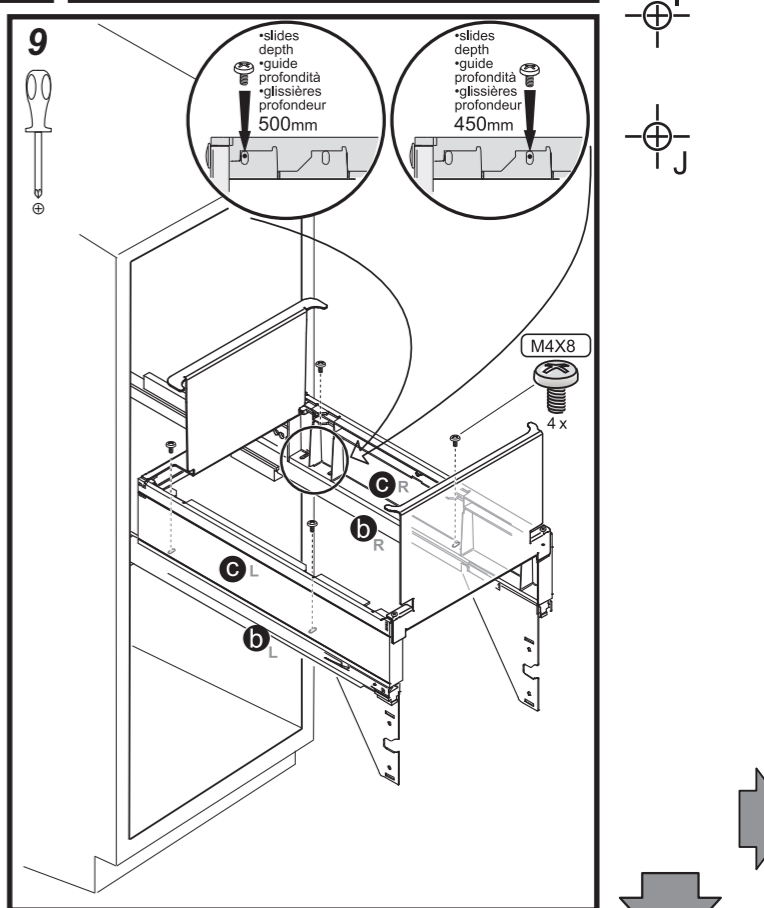
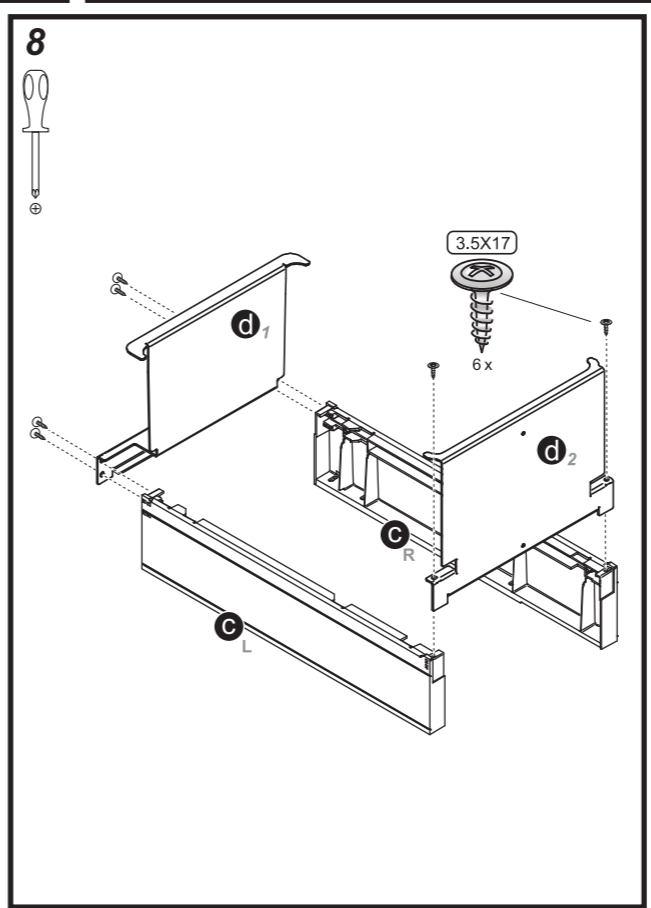
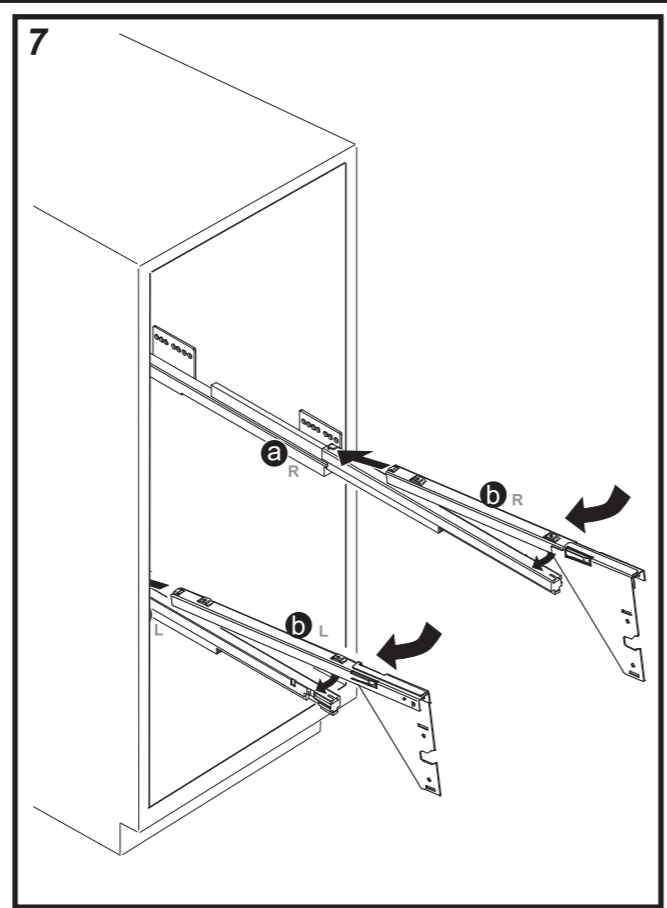
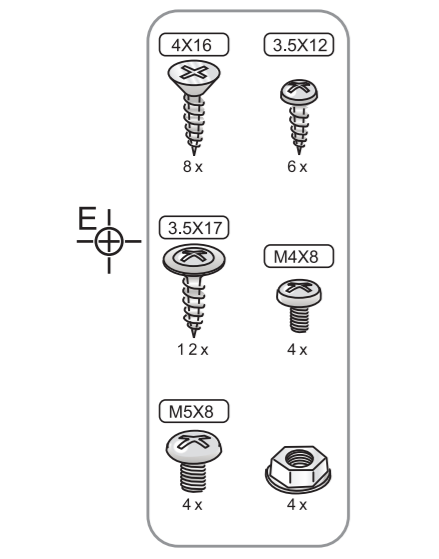
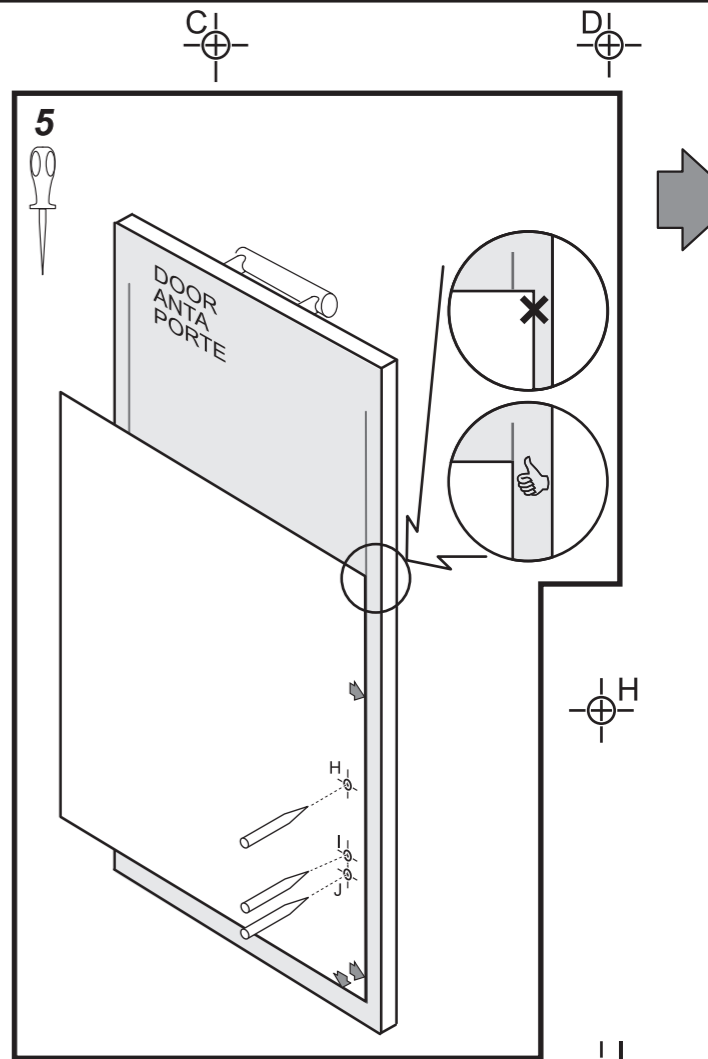
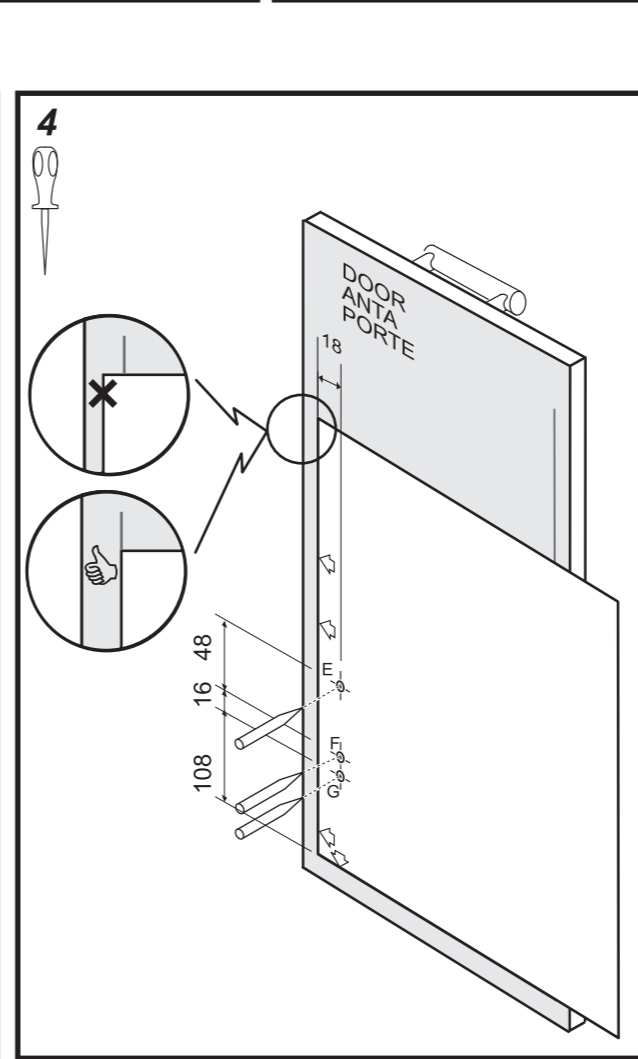
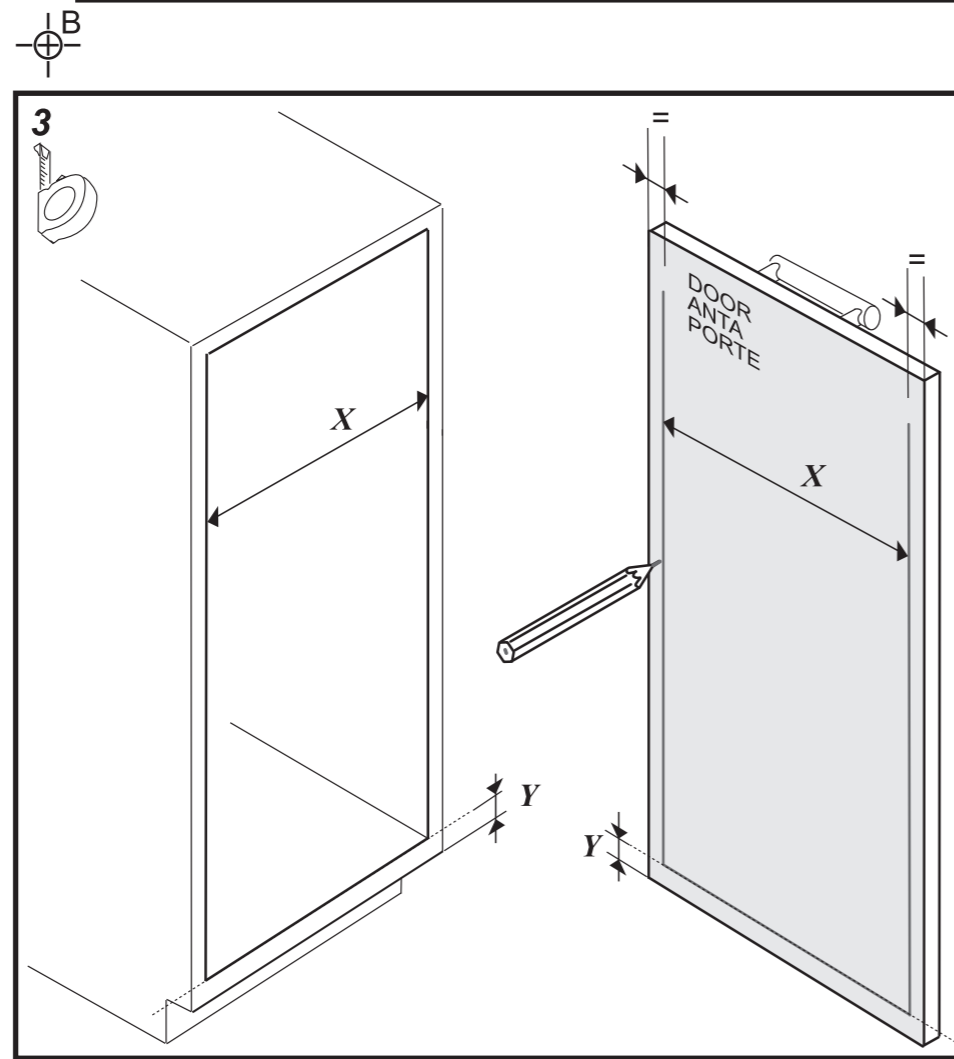
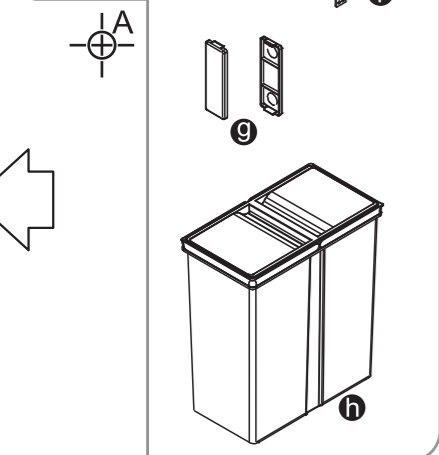
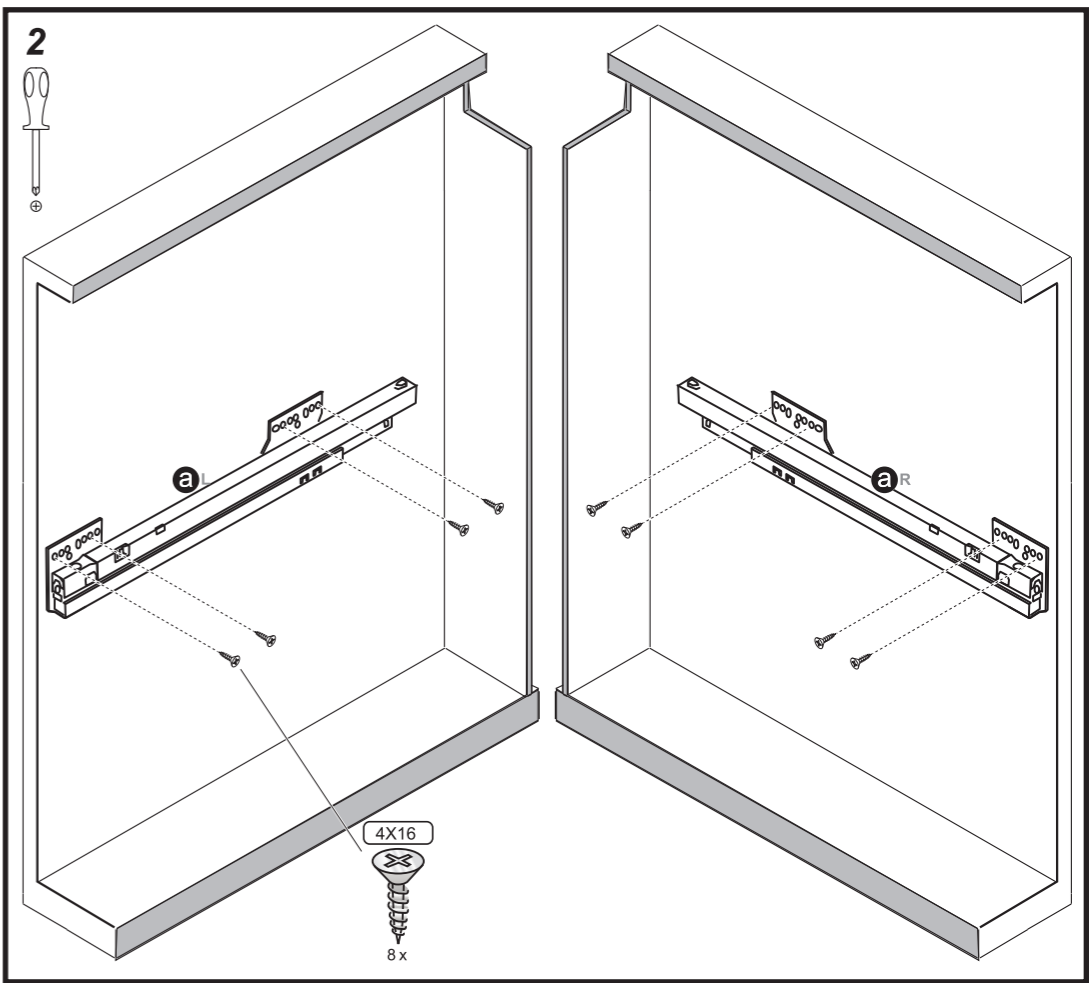
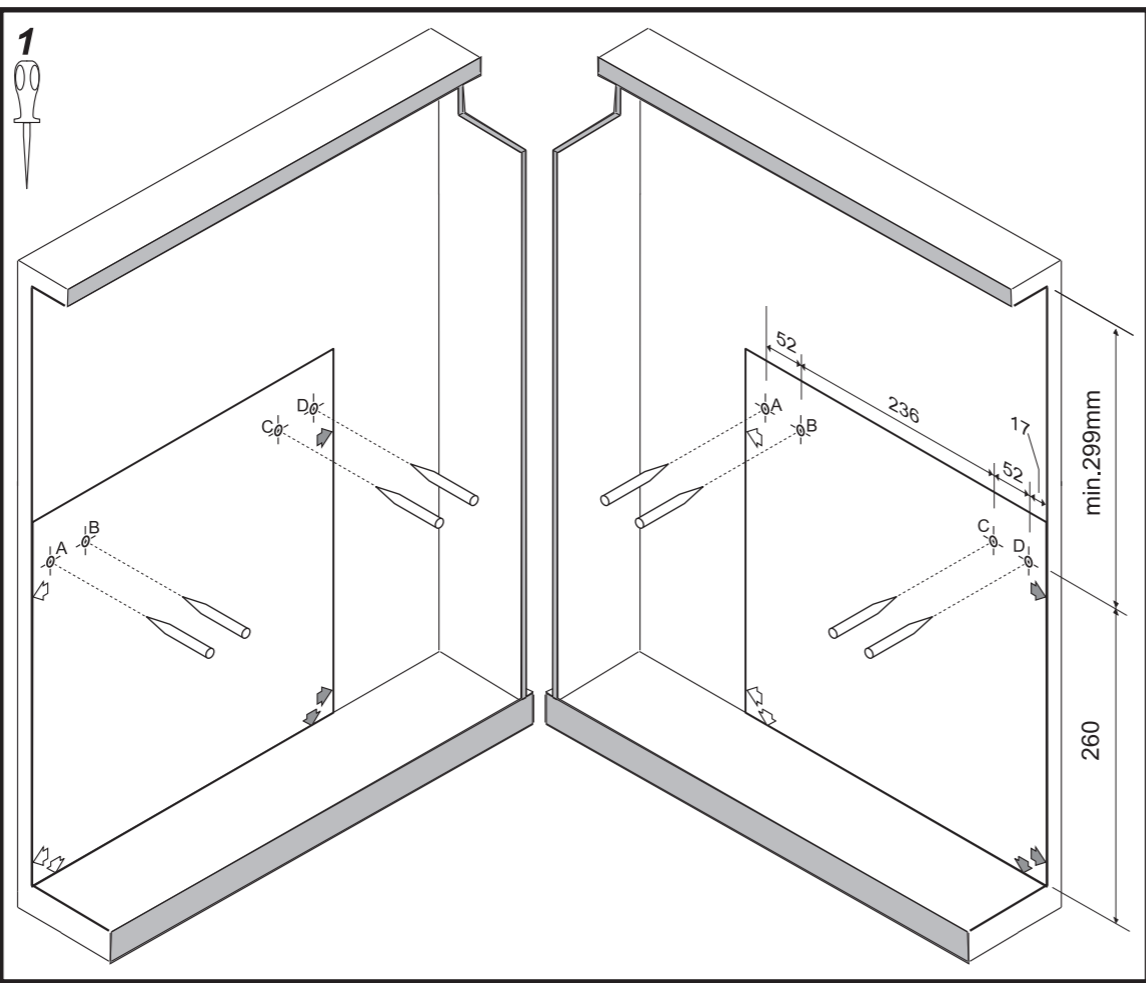
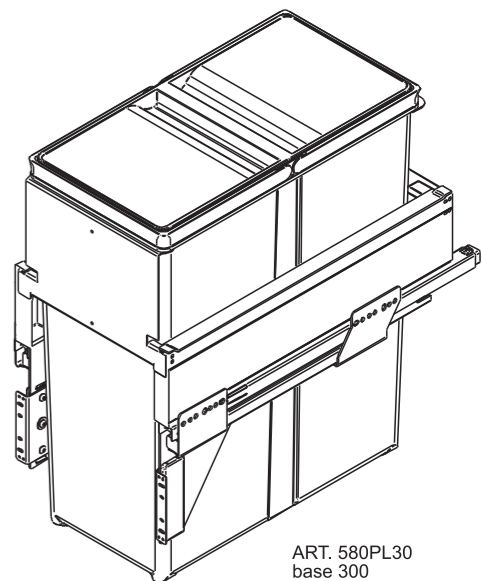
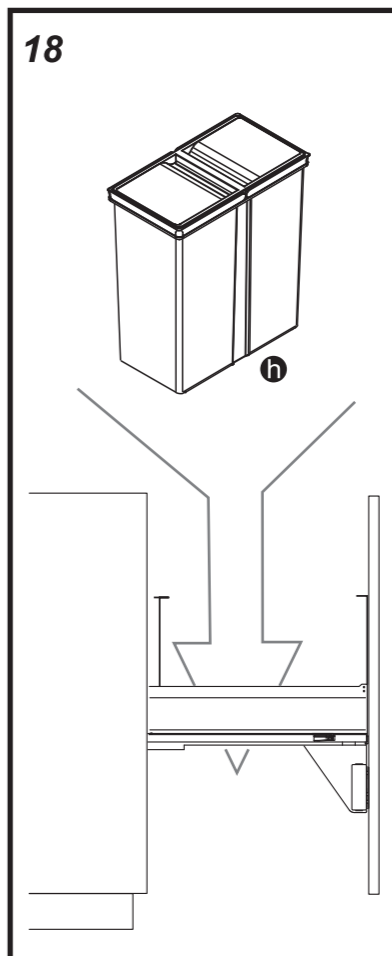
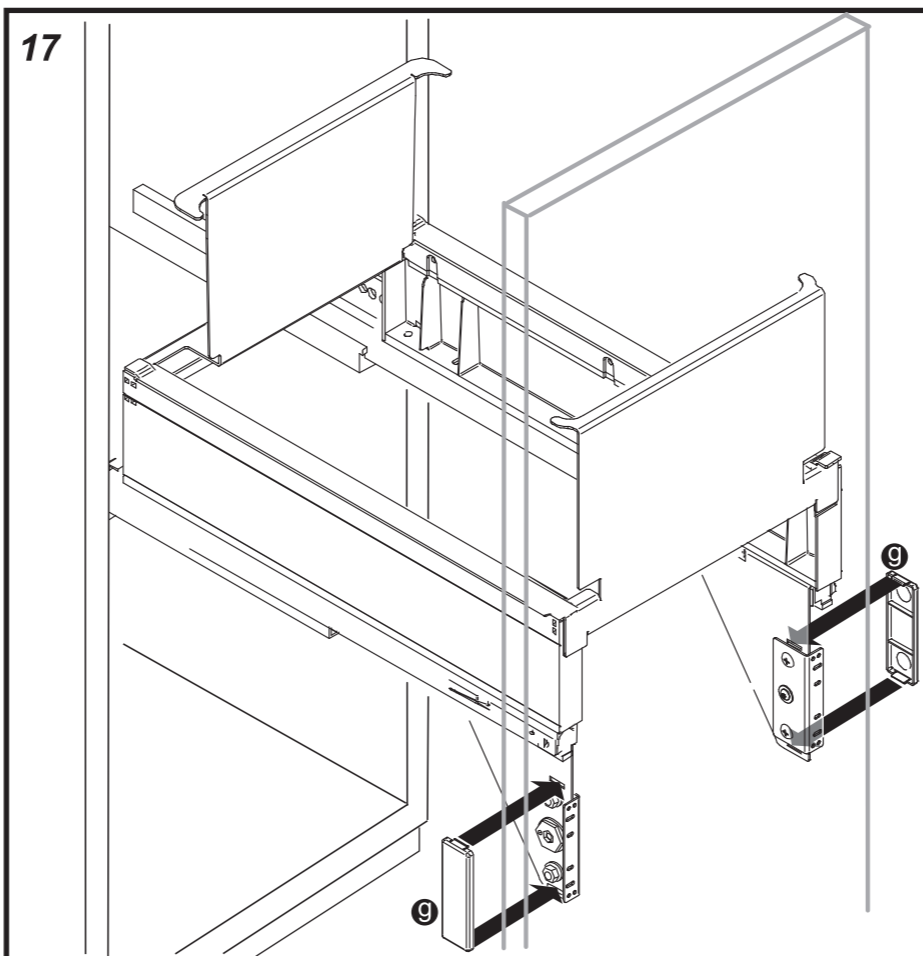
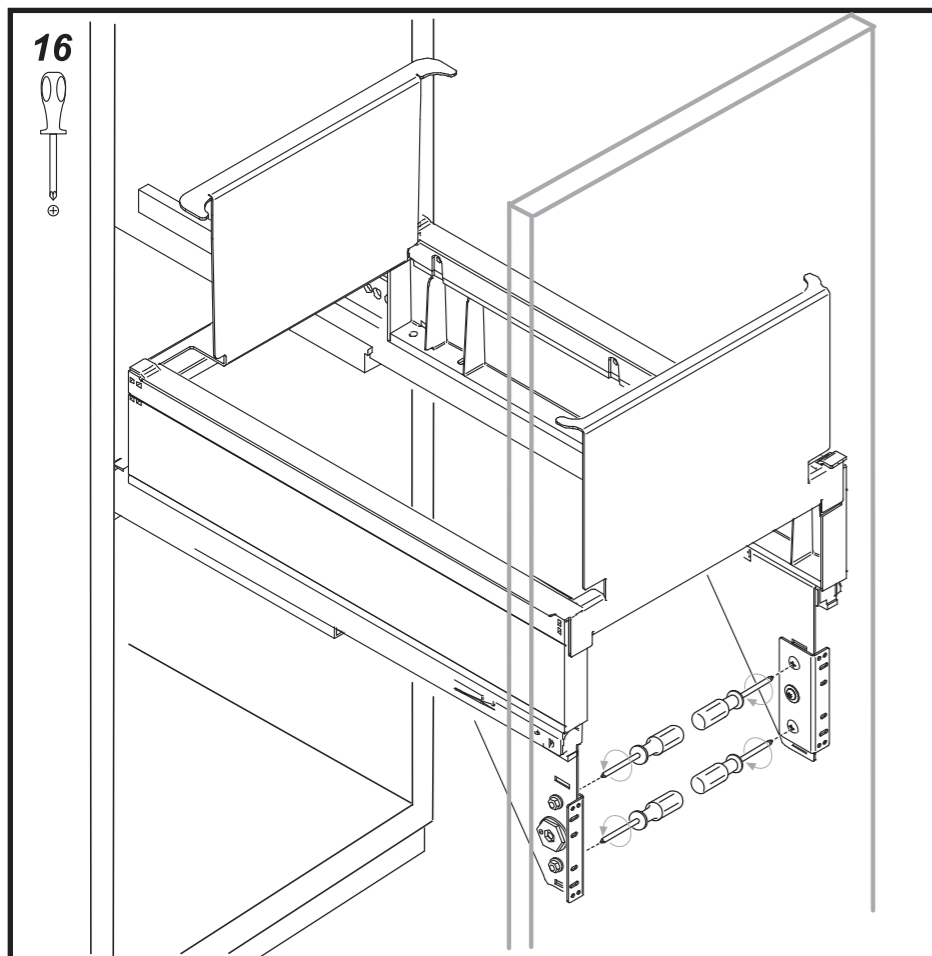
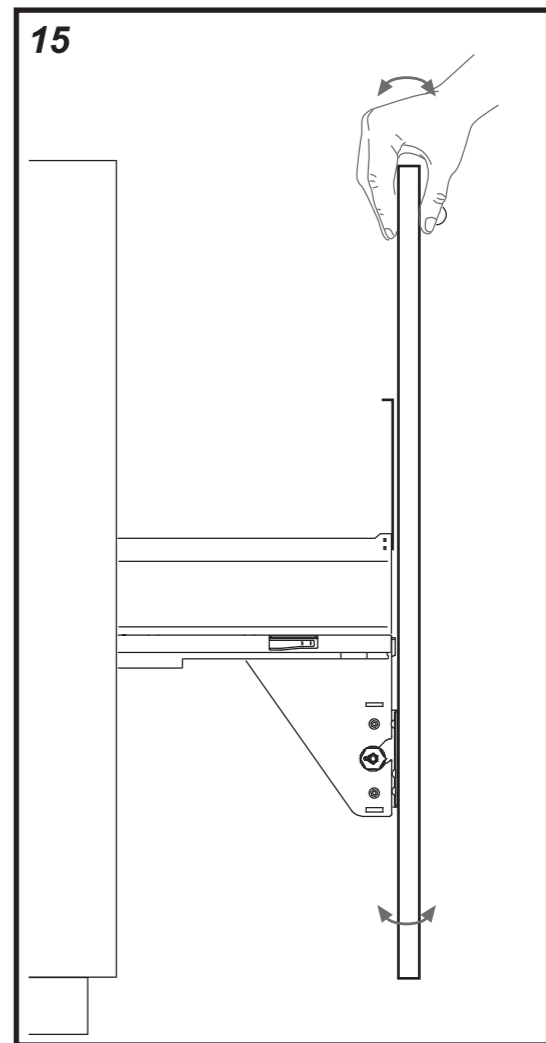
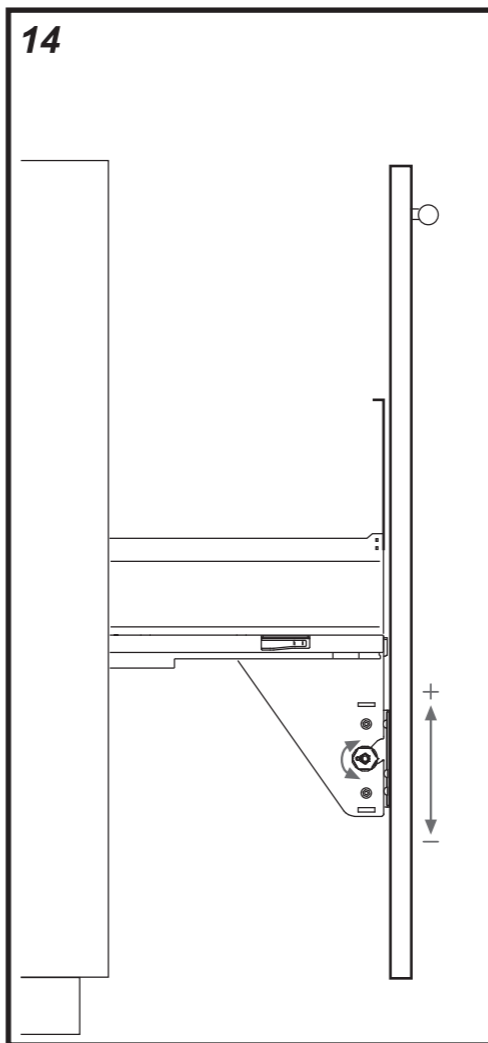
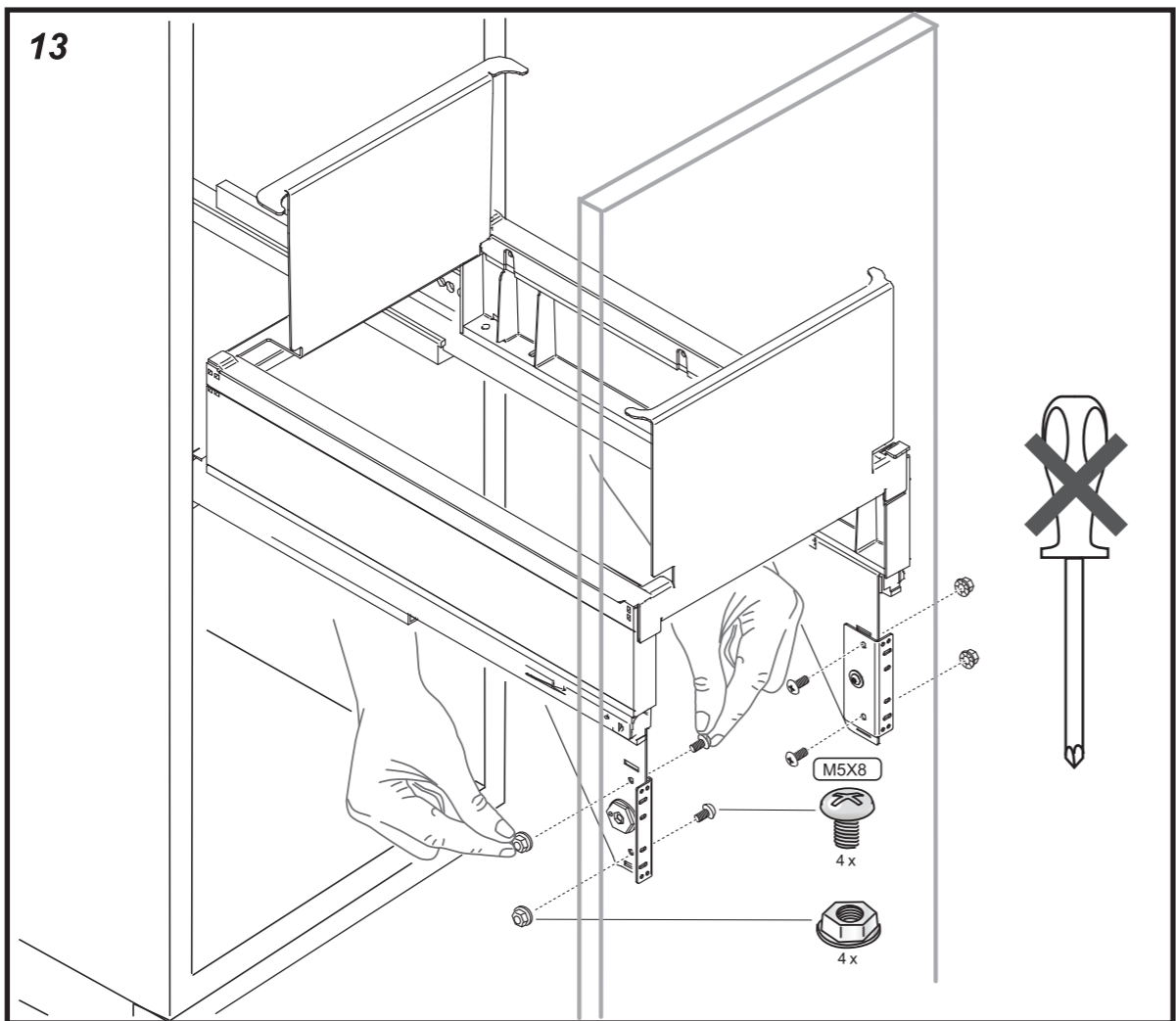
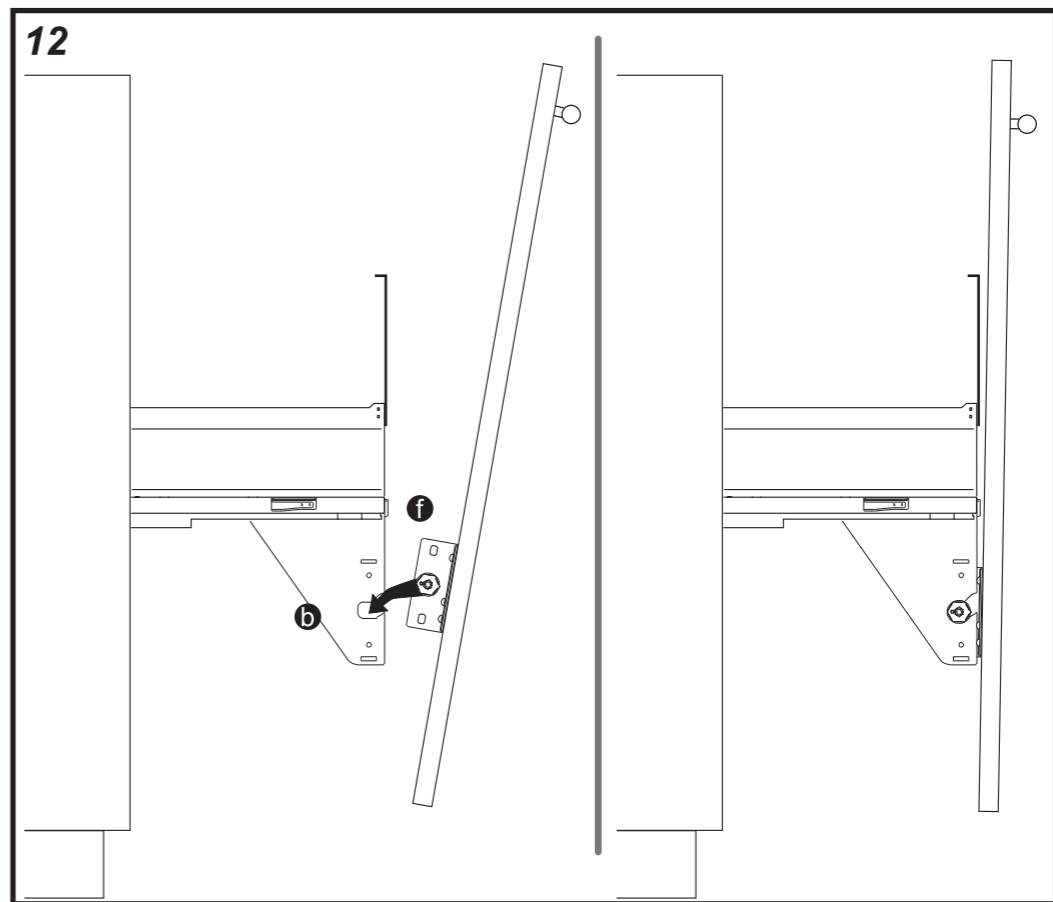
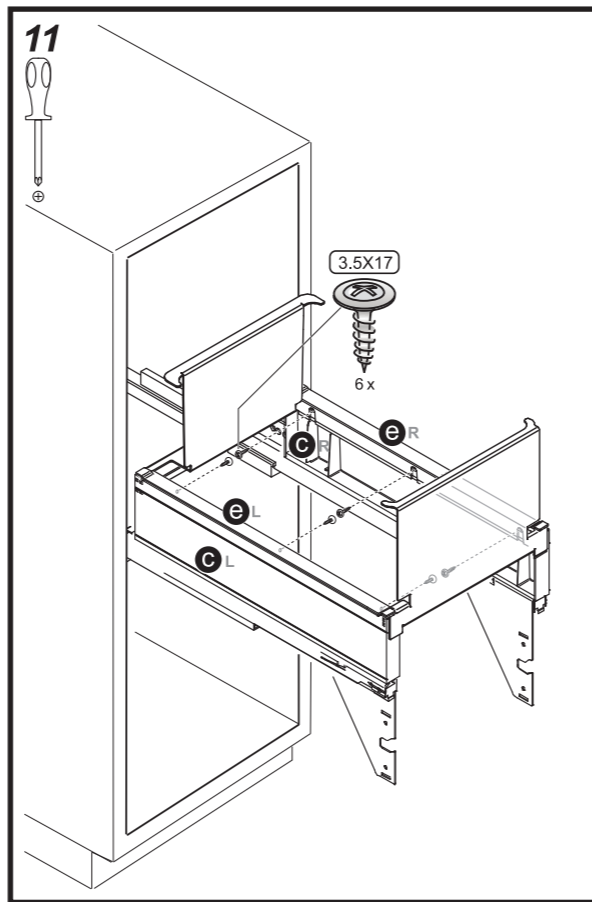
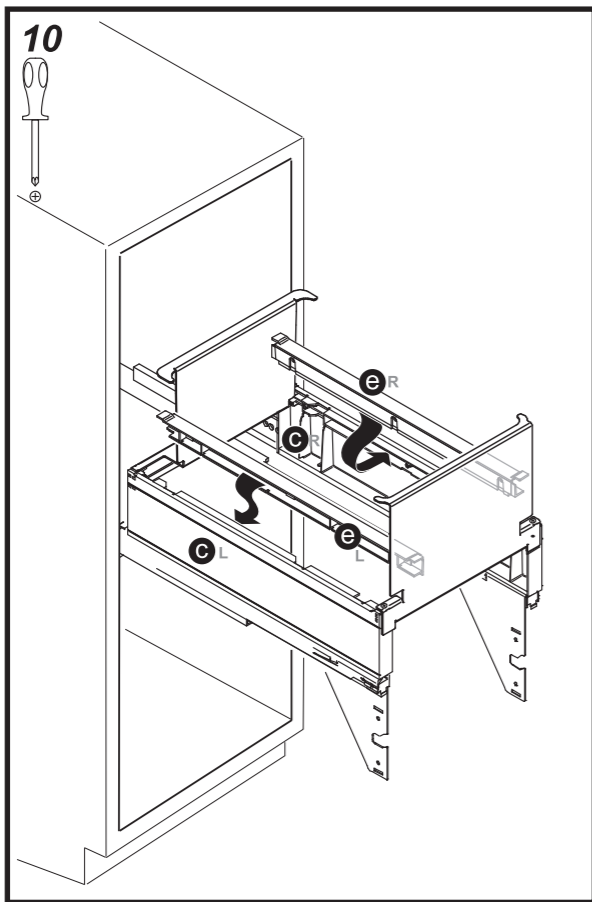
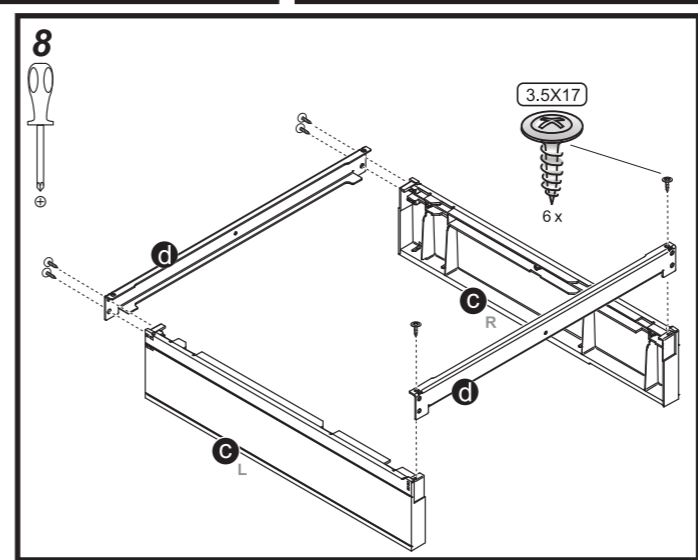
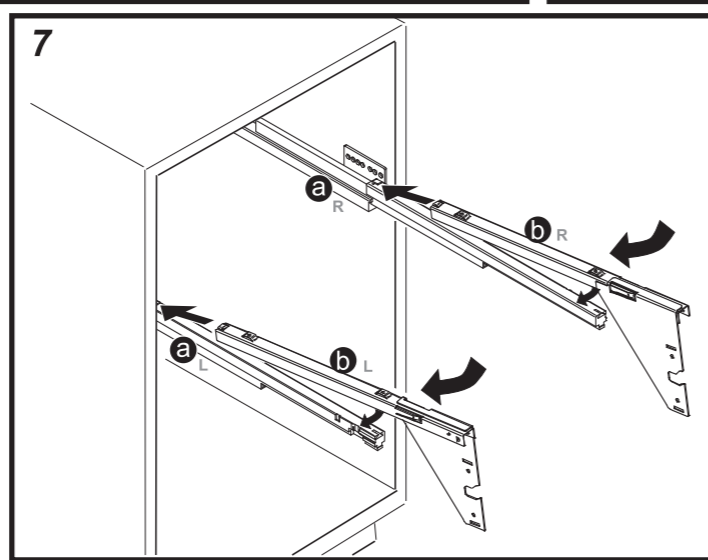
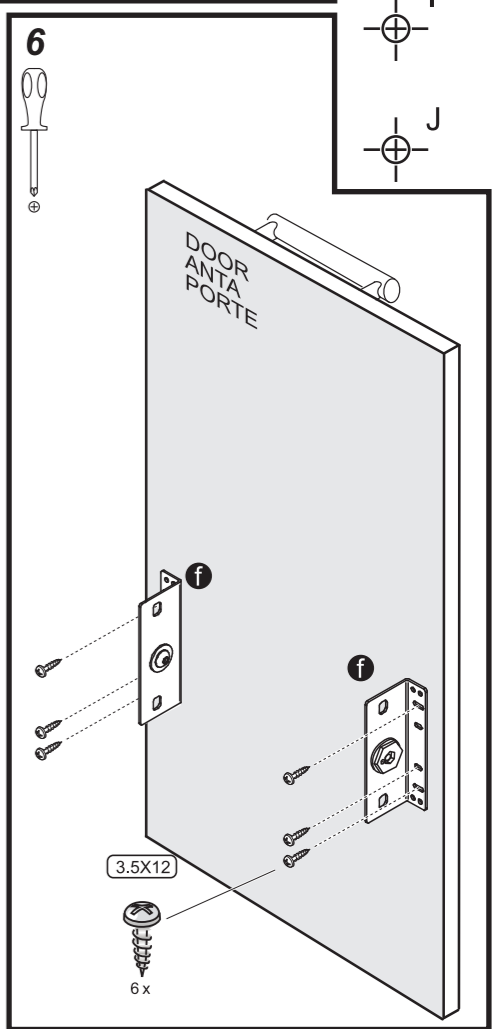
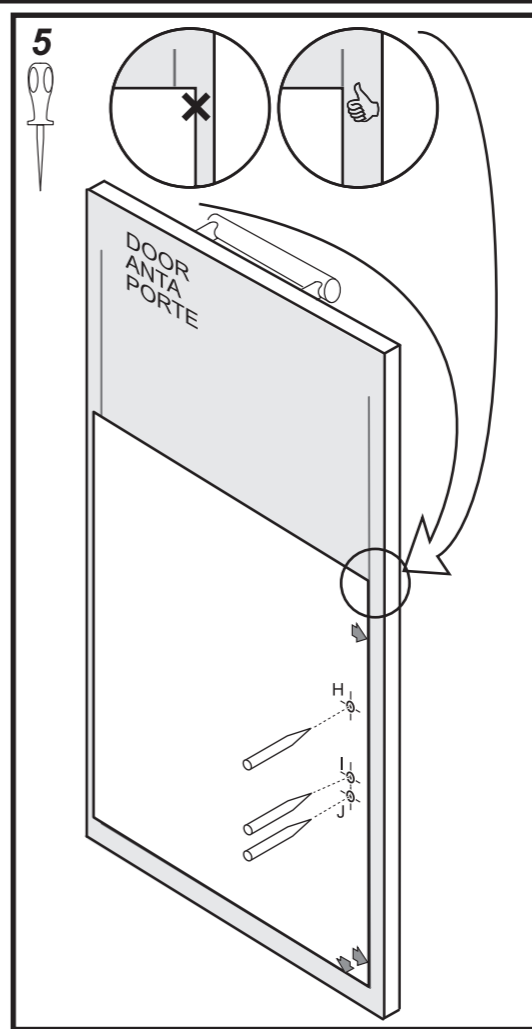
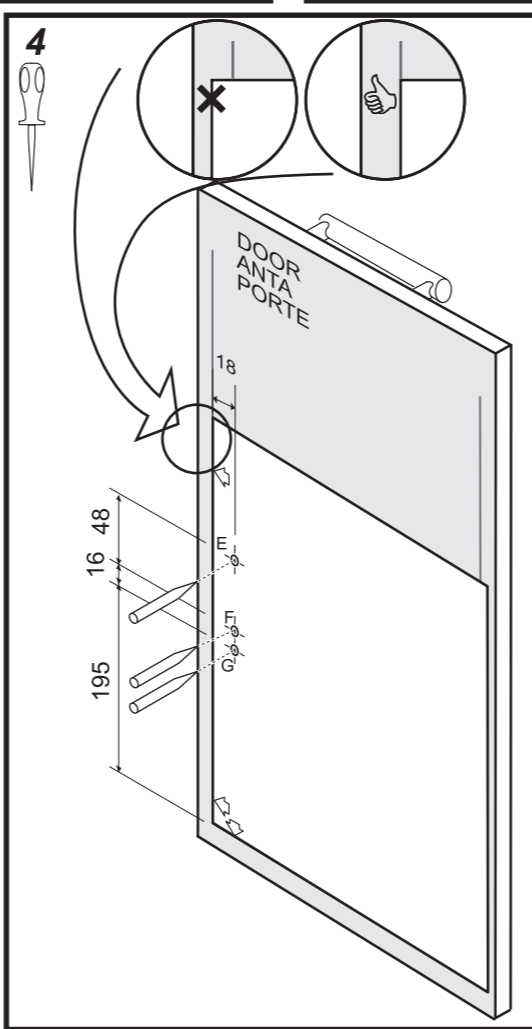
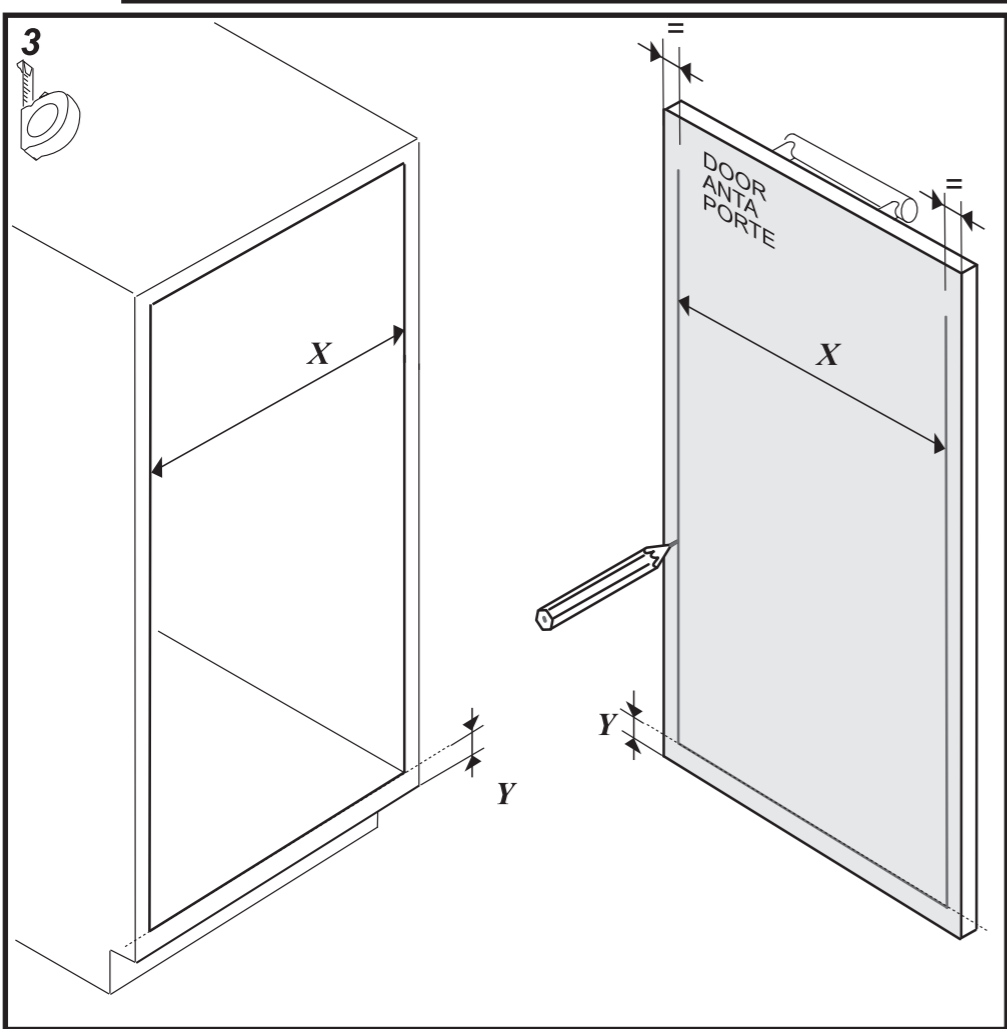
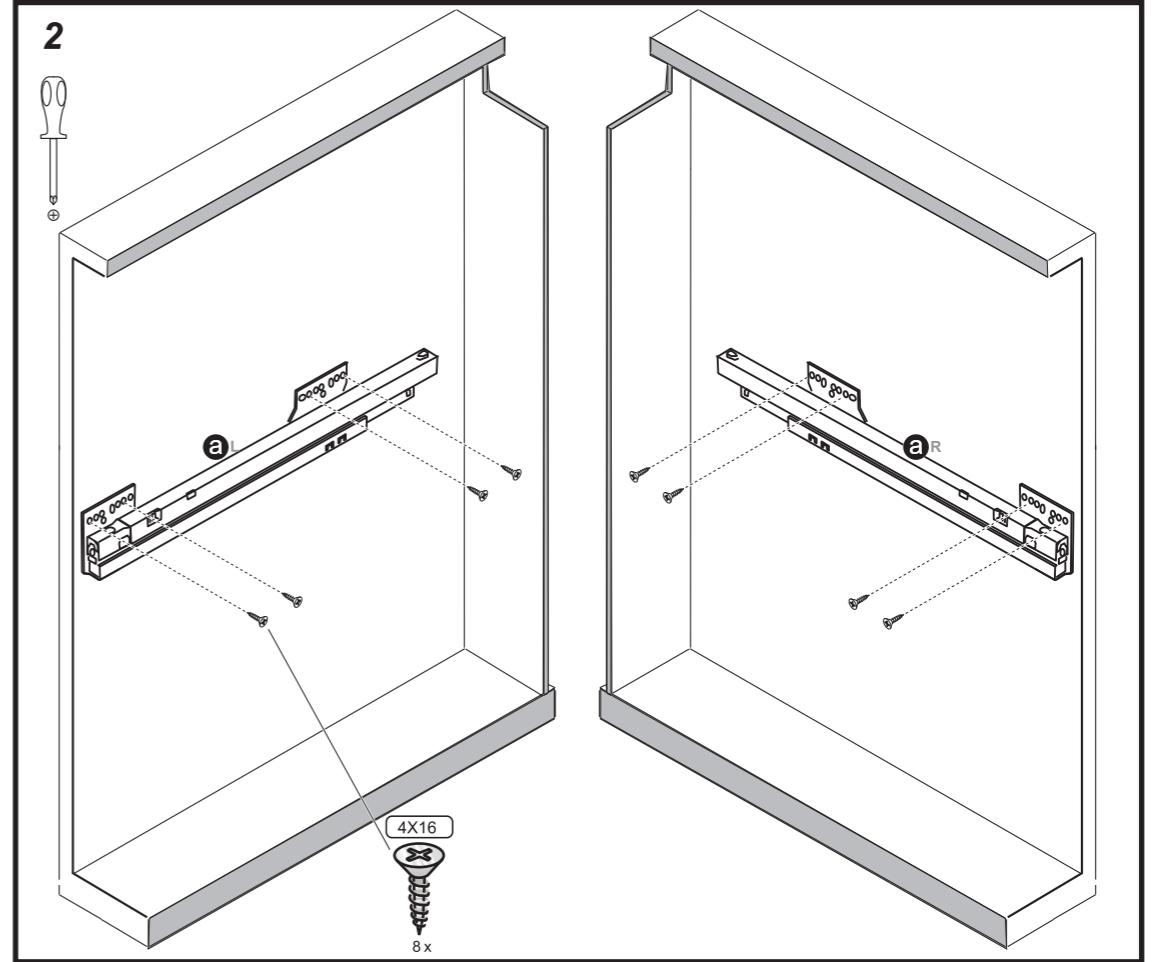
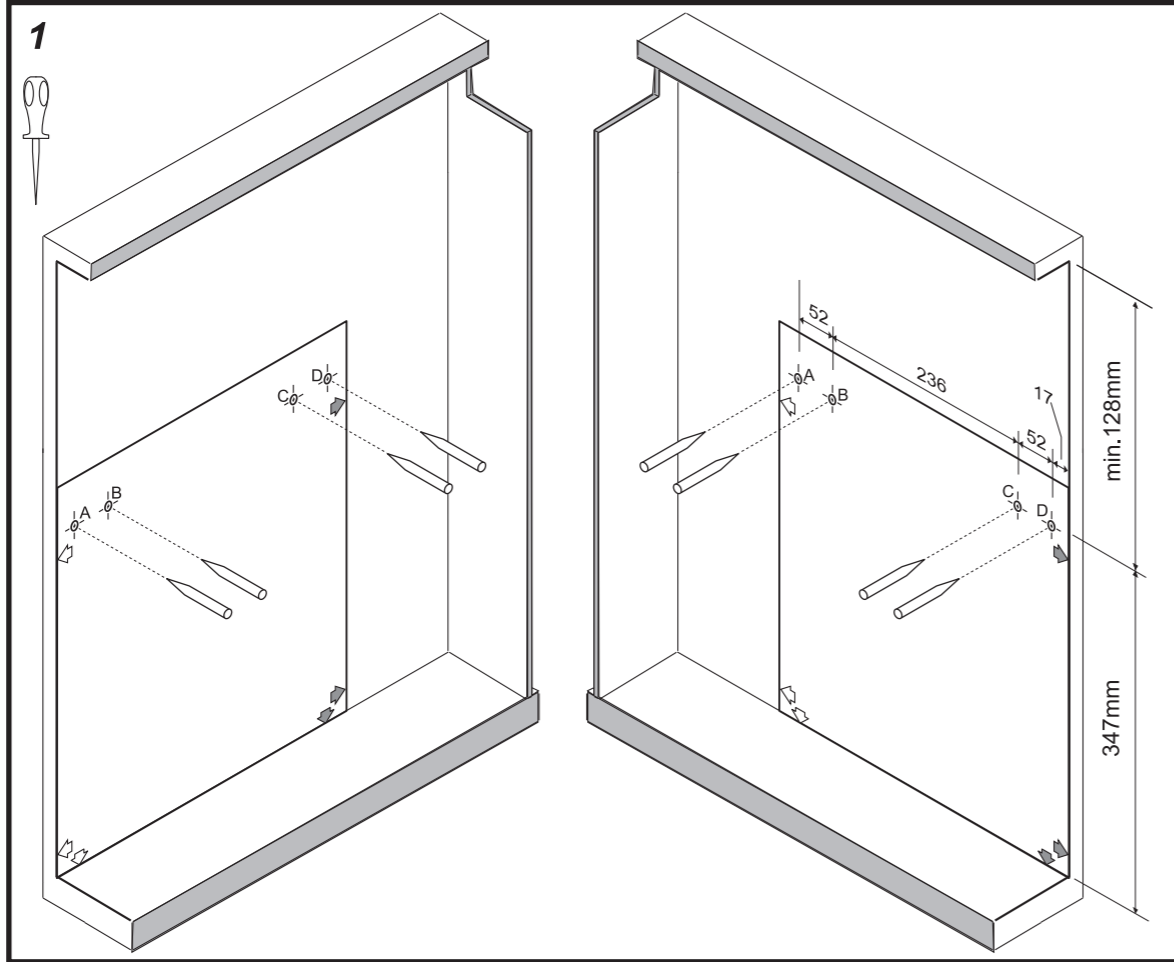
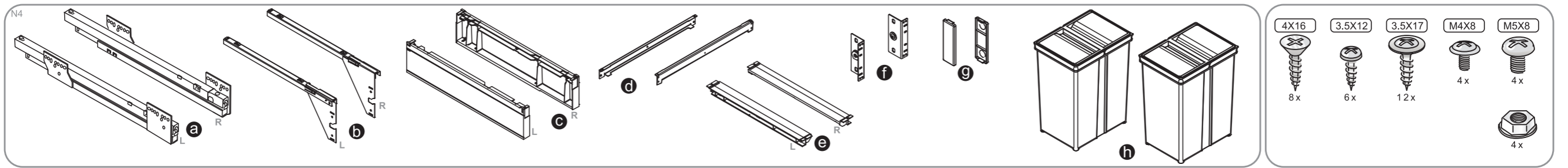


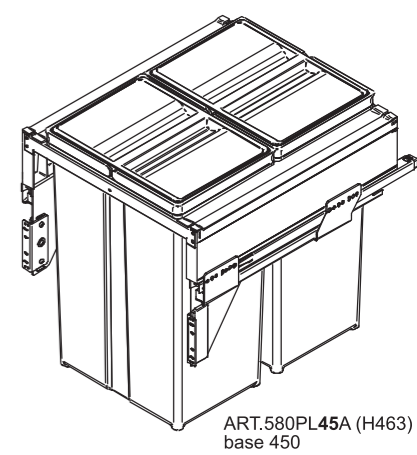
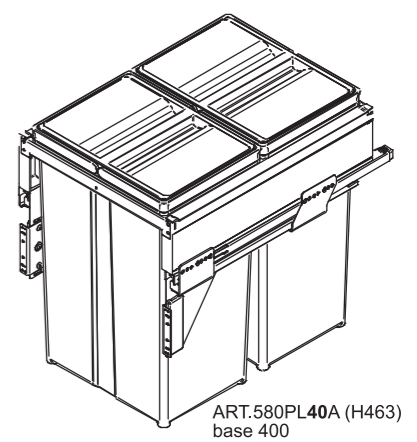
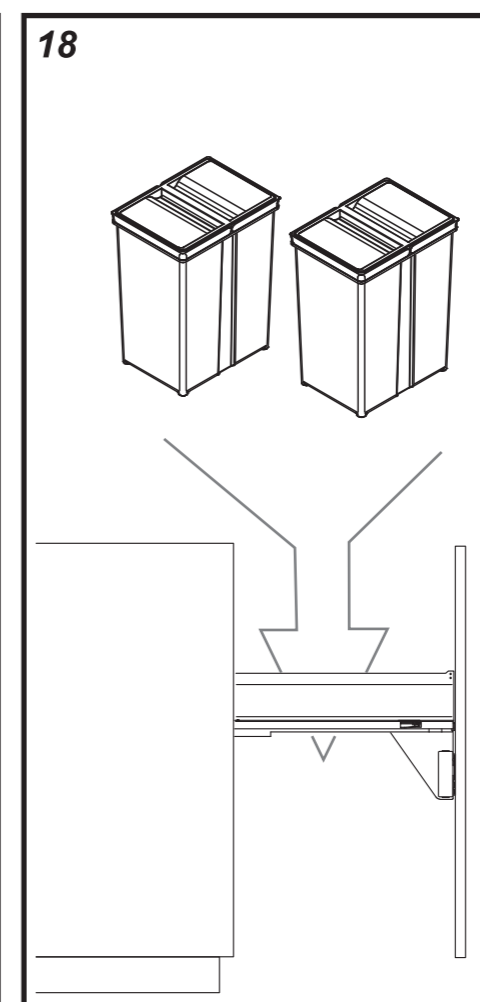
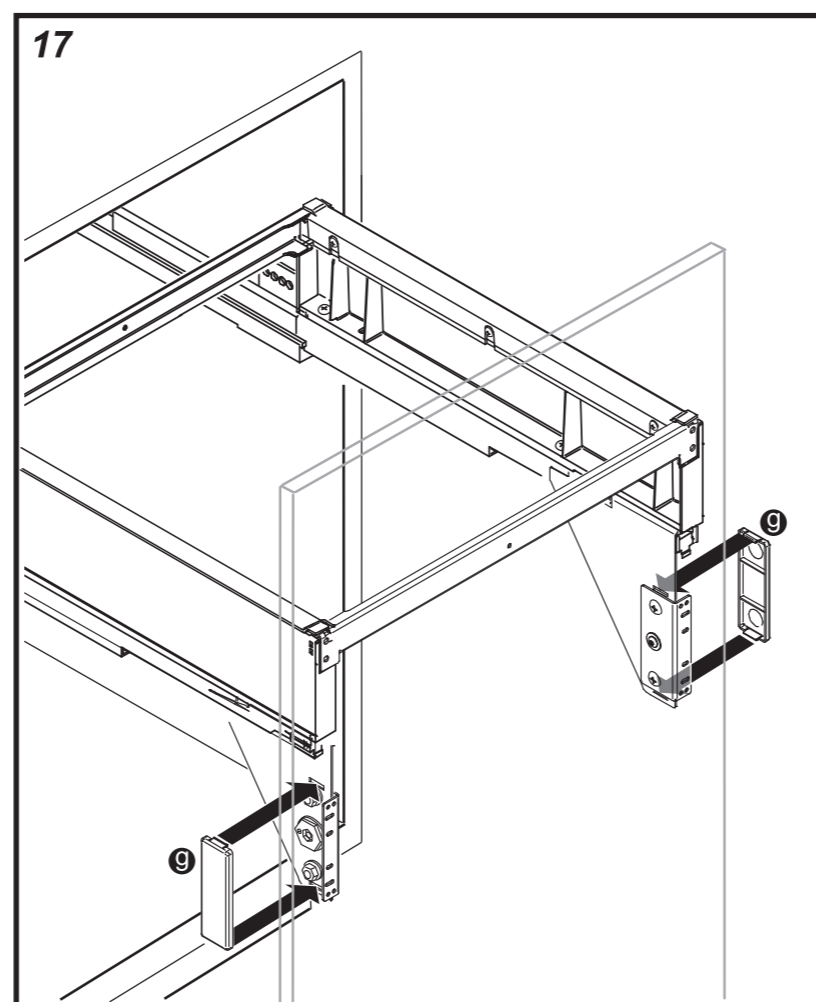
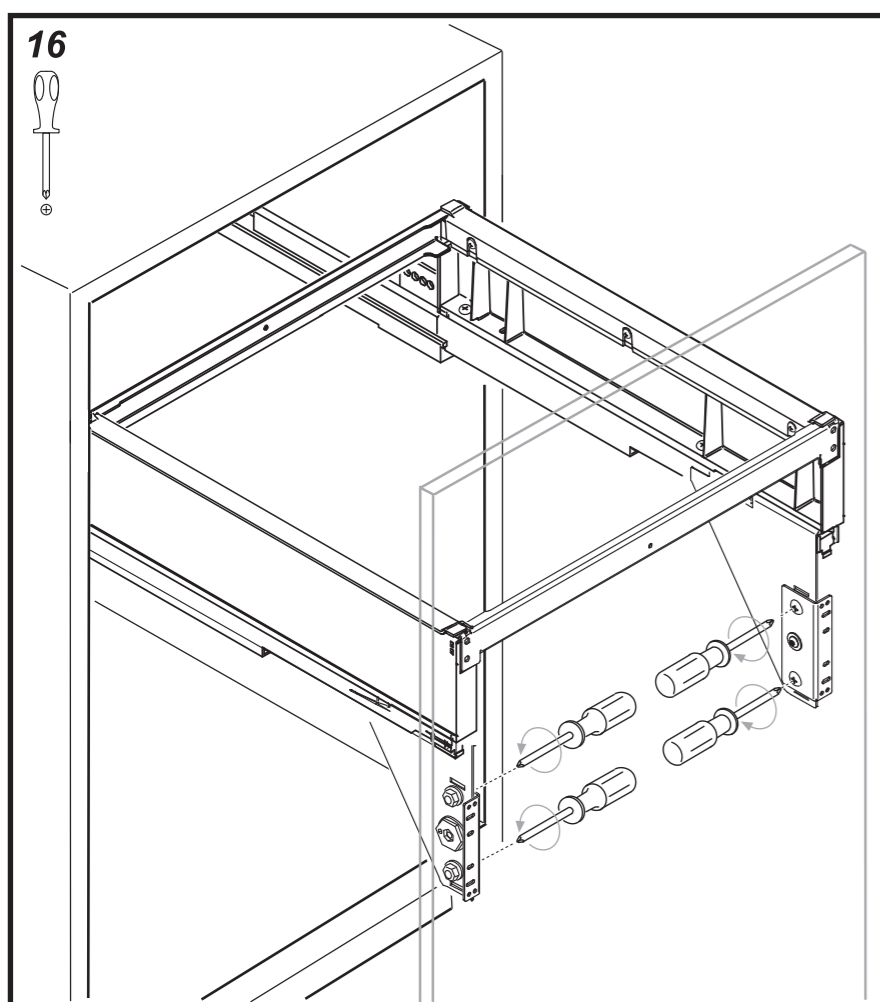
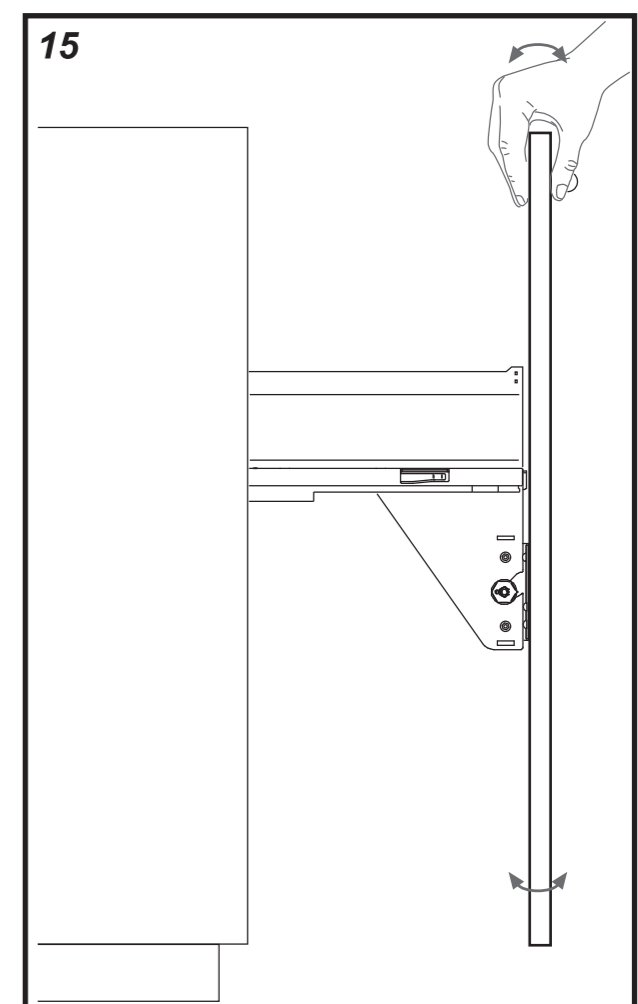
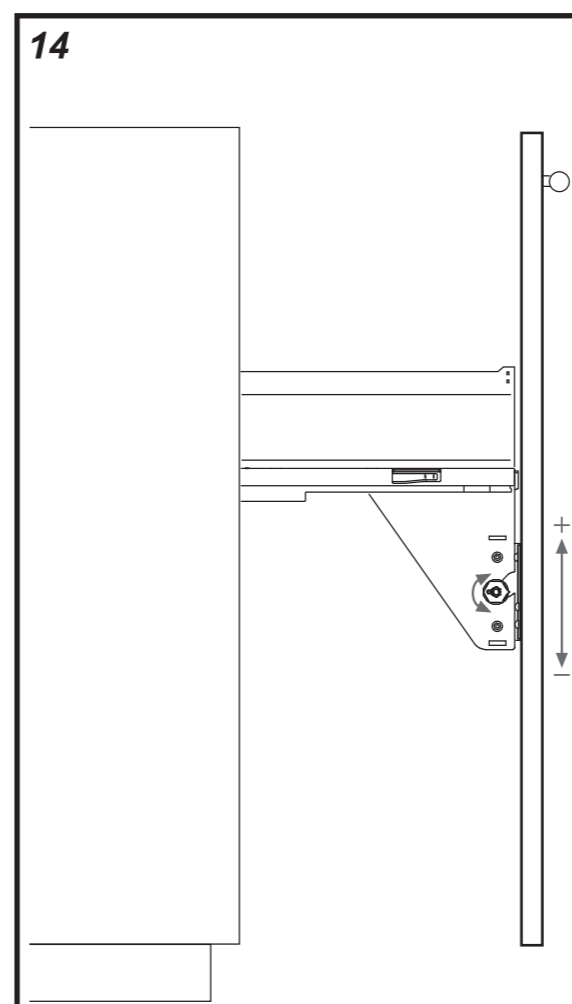
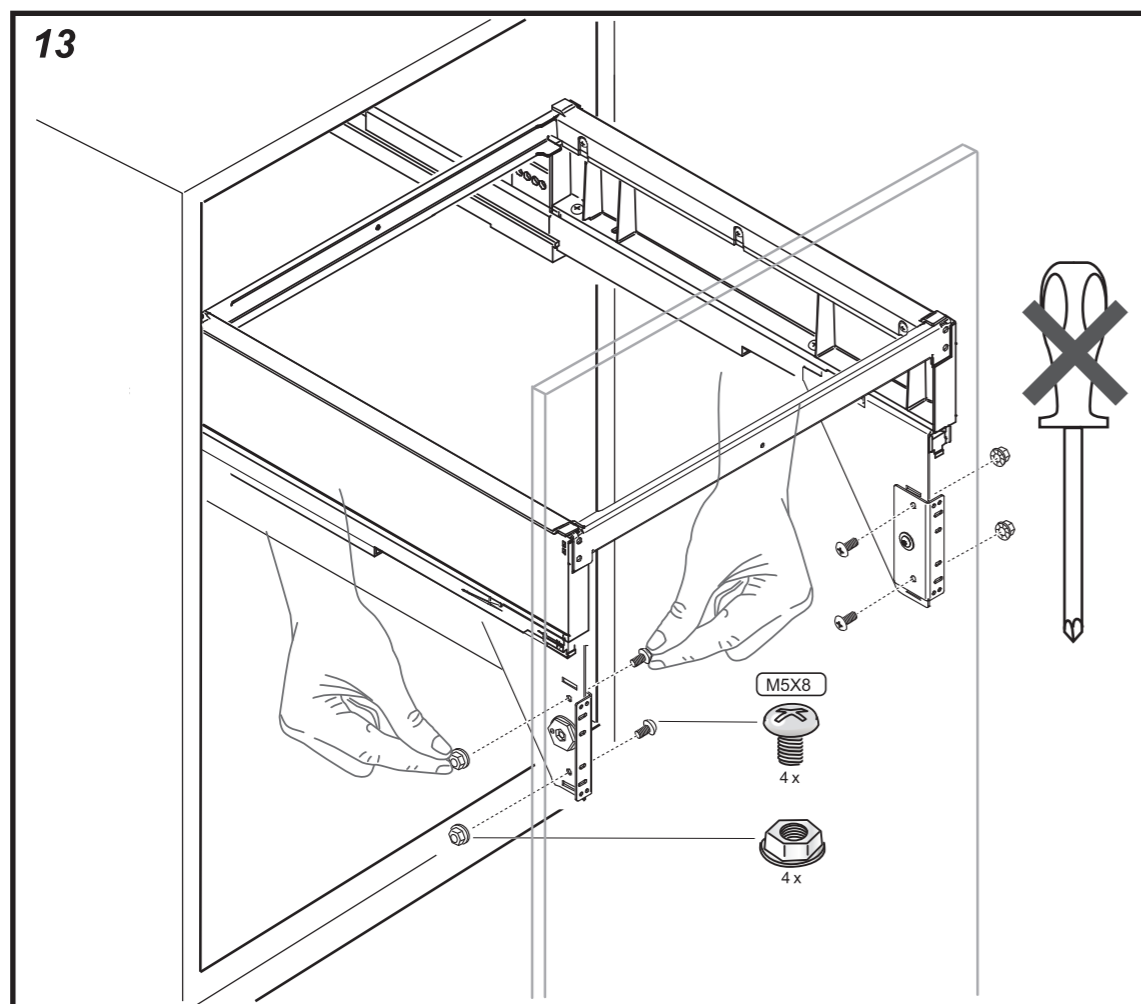
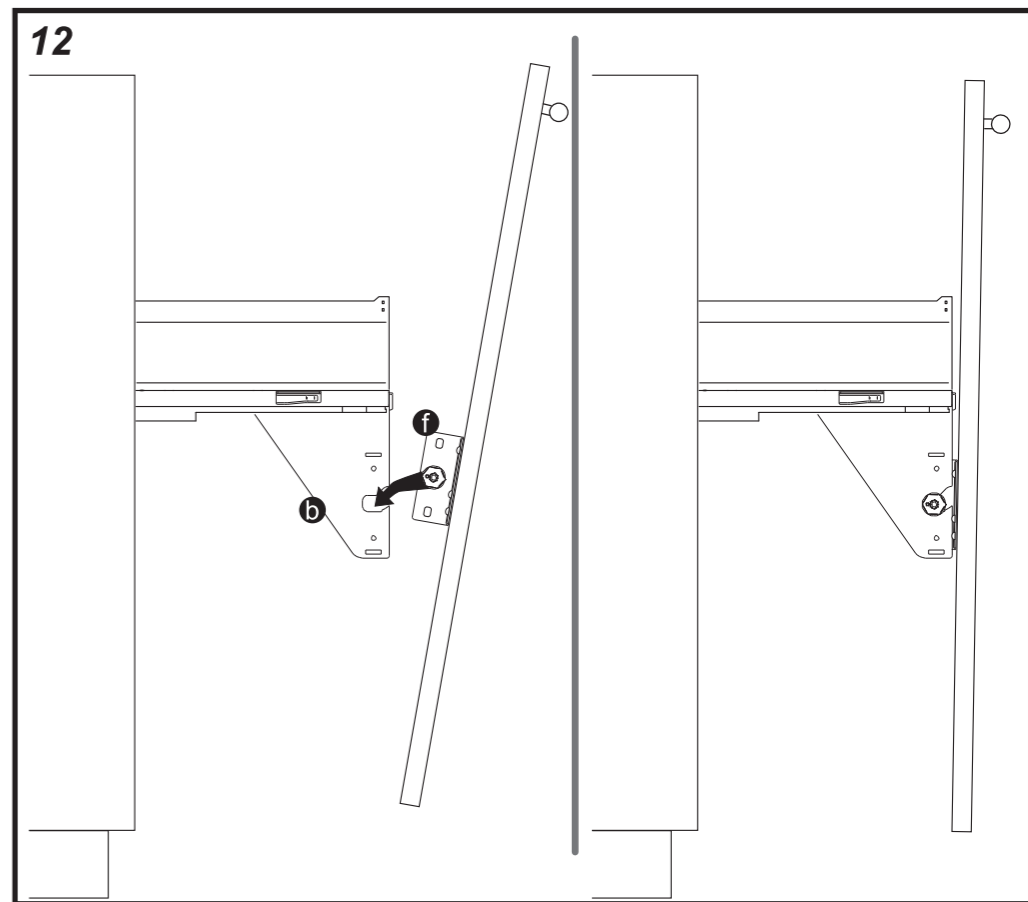
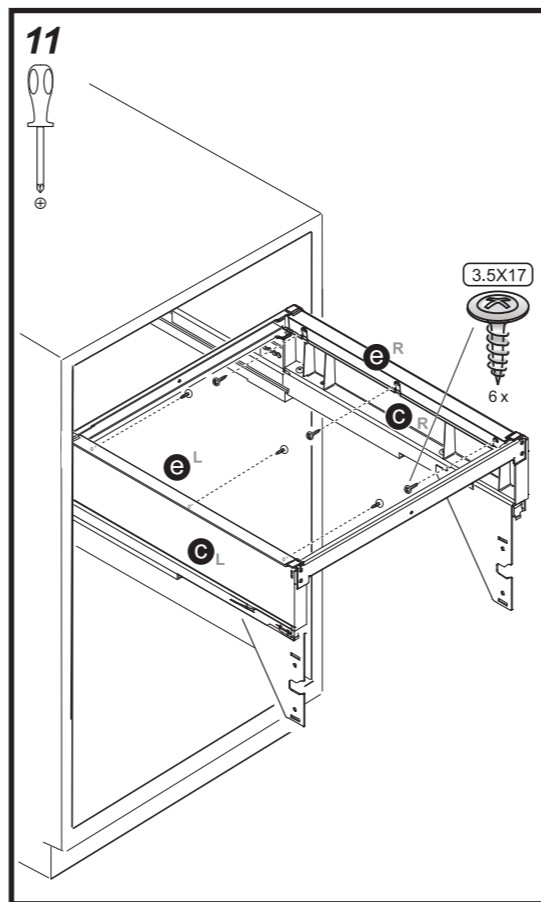
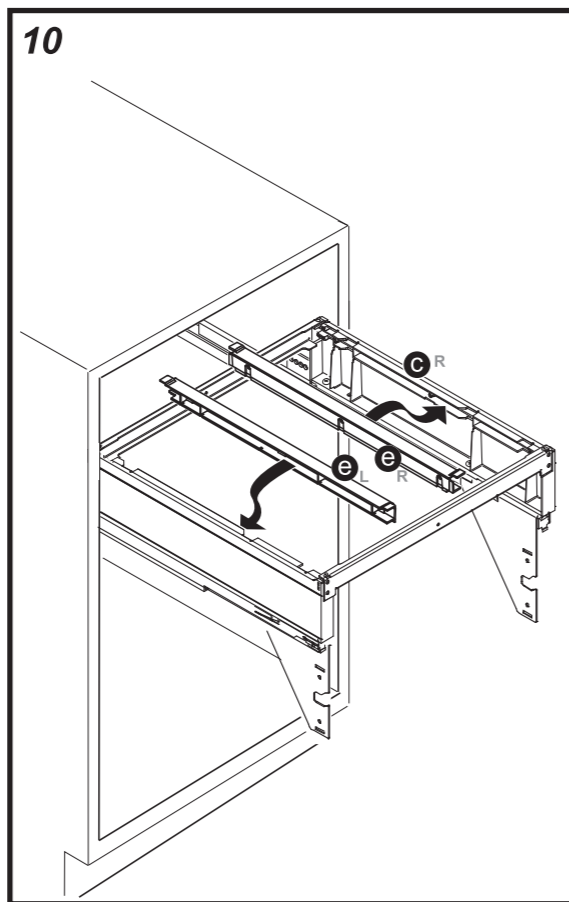
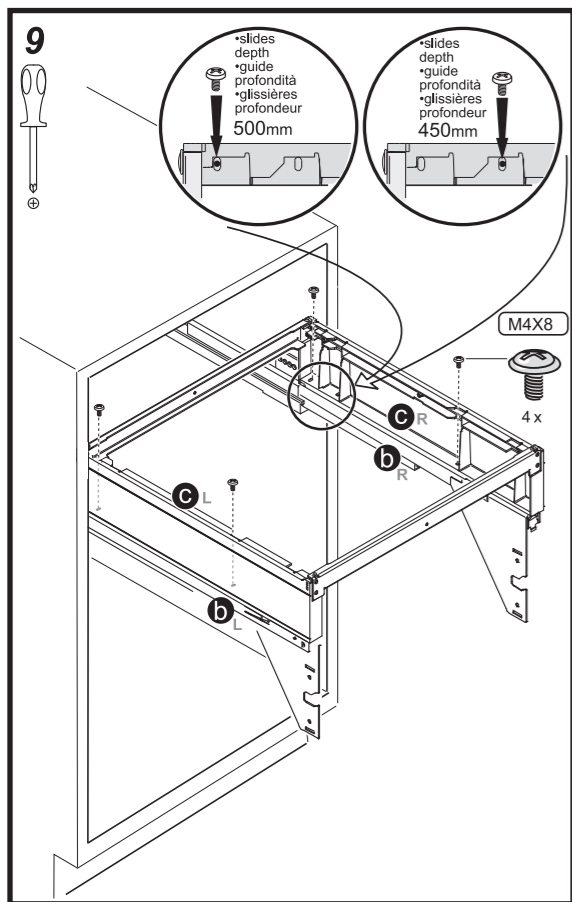
•base300mm: ART.580PL30C

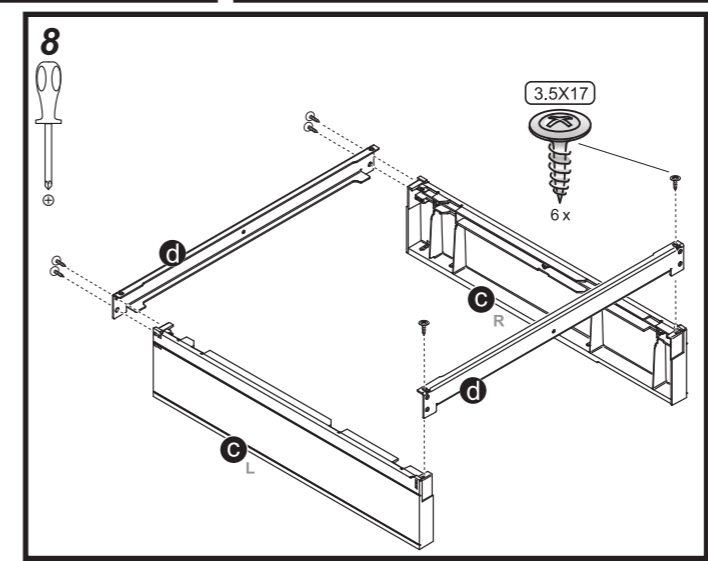
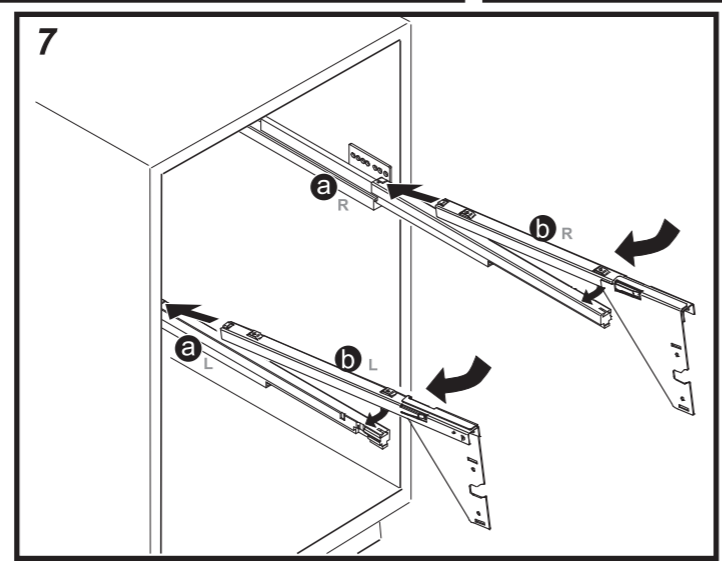
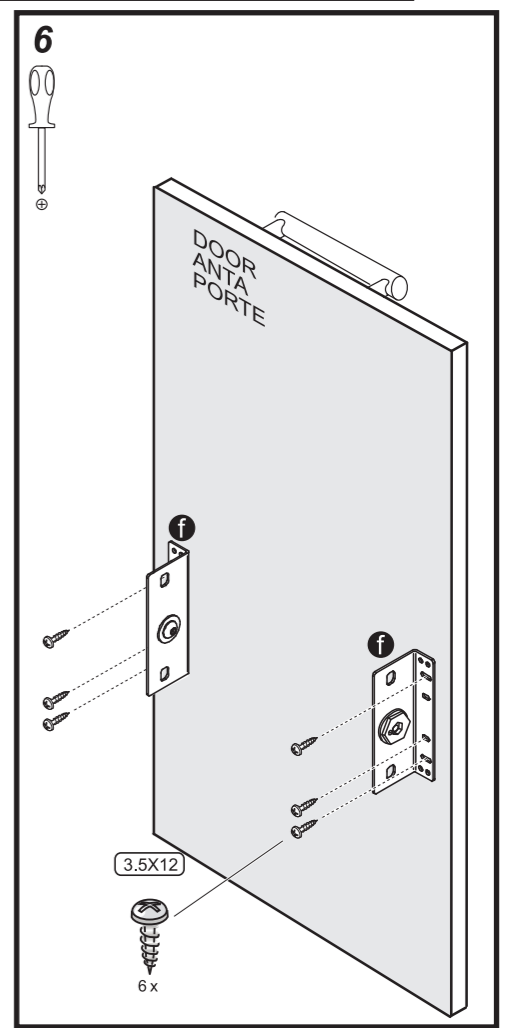
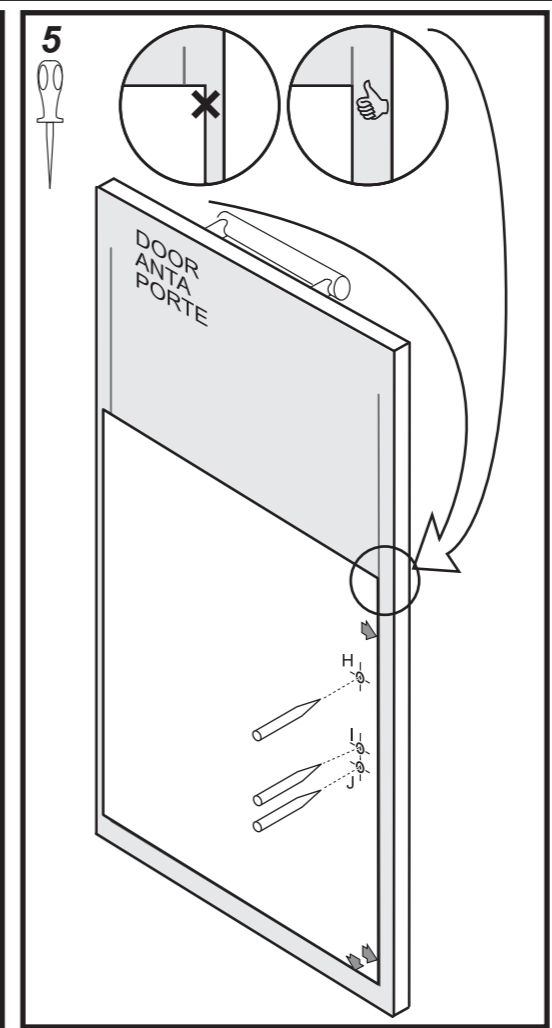
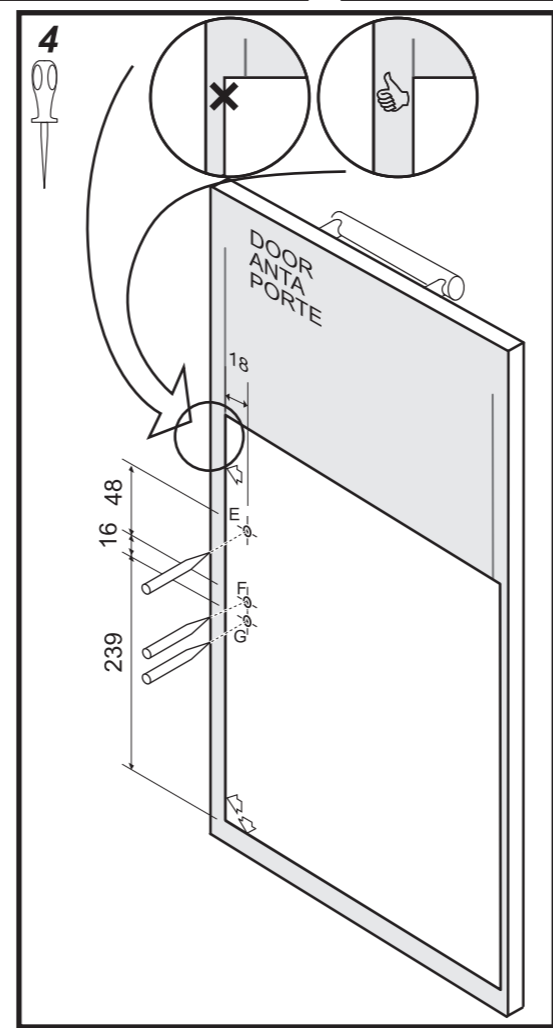
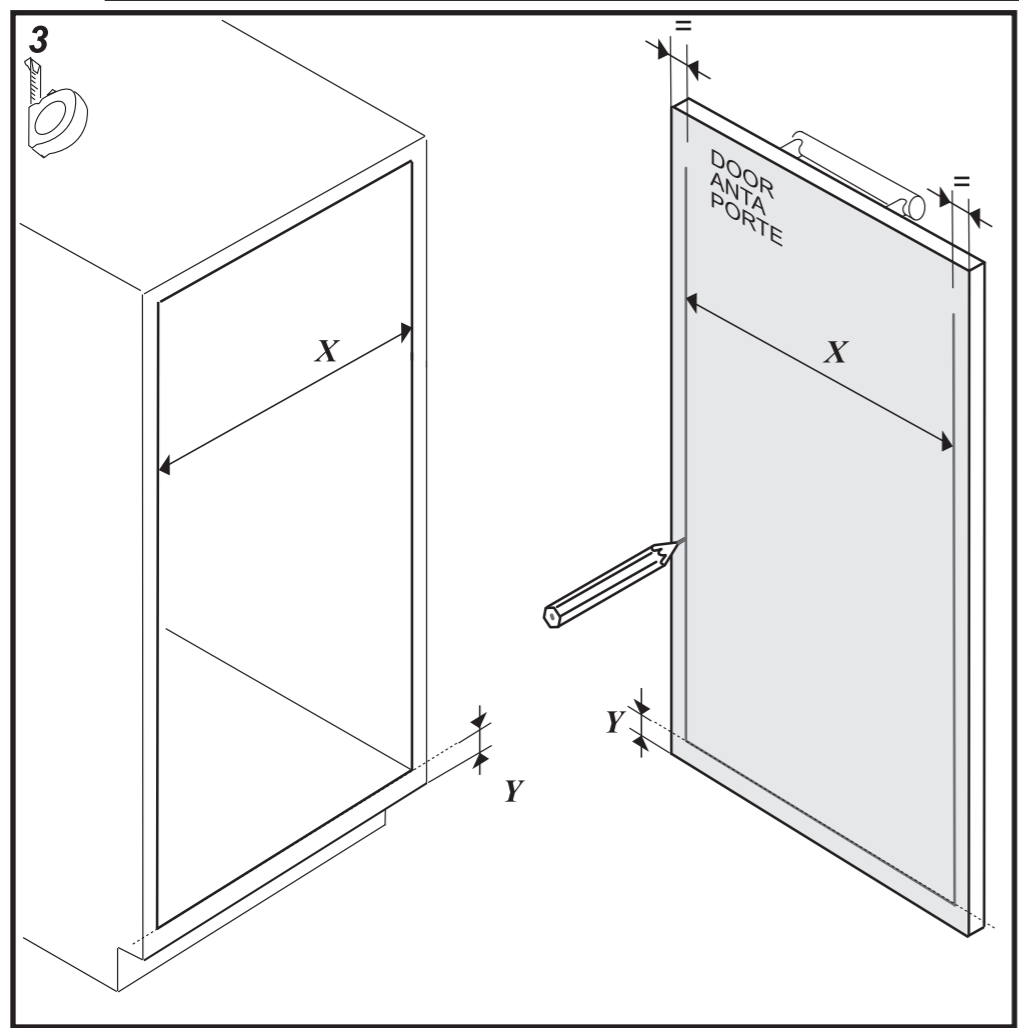
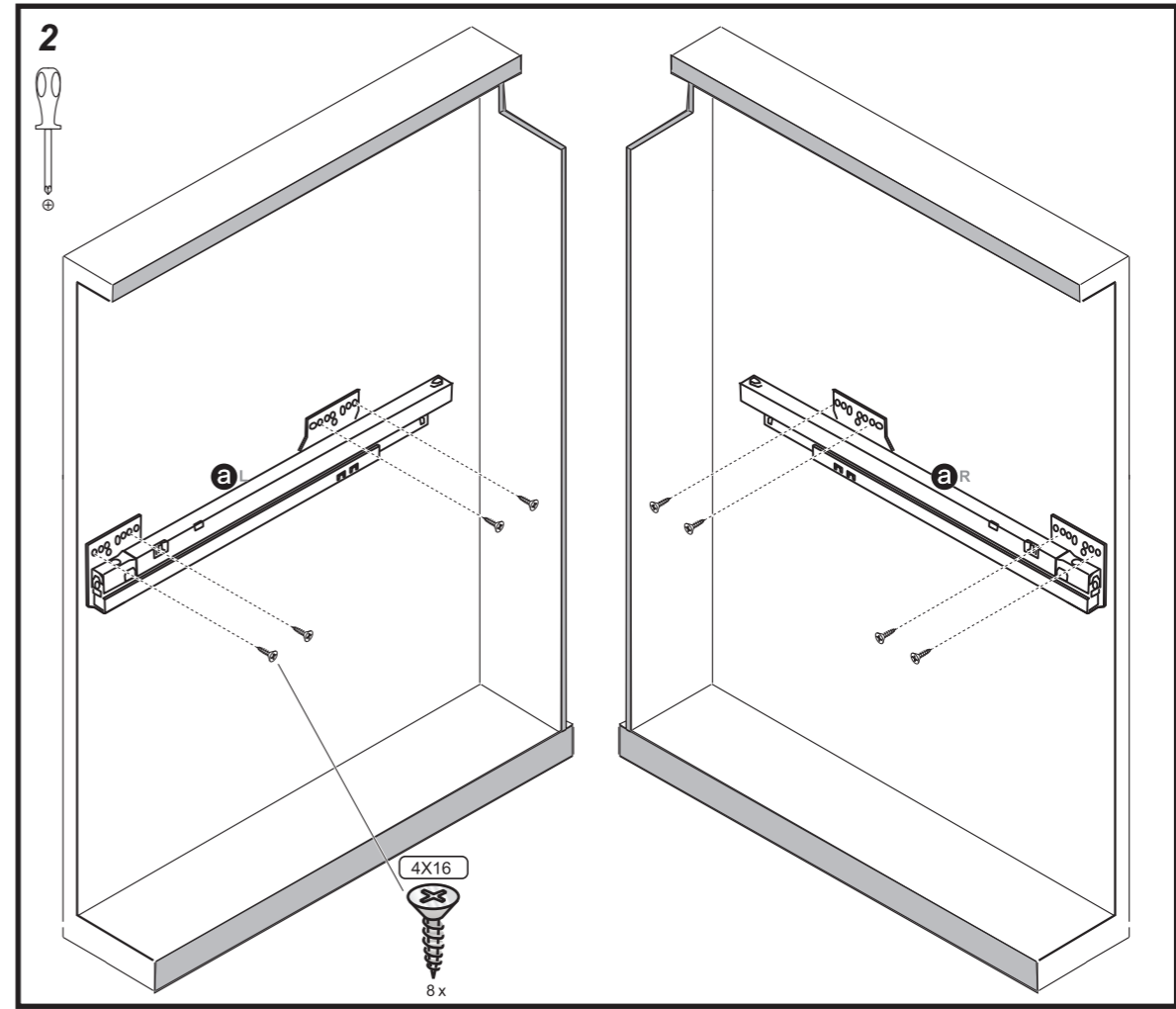
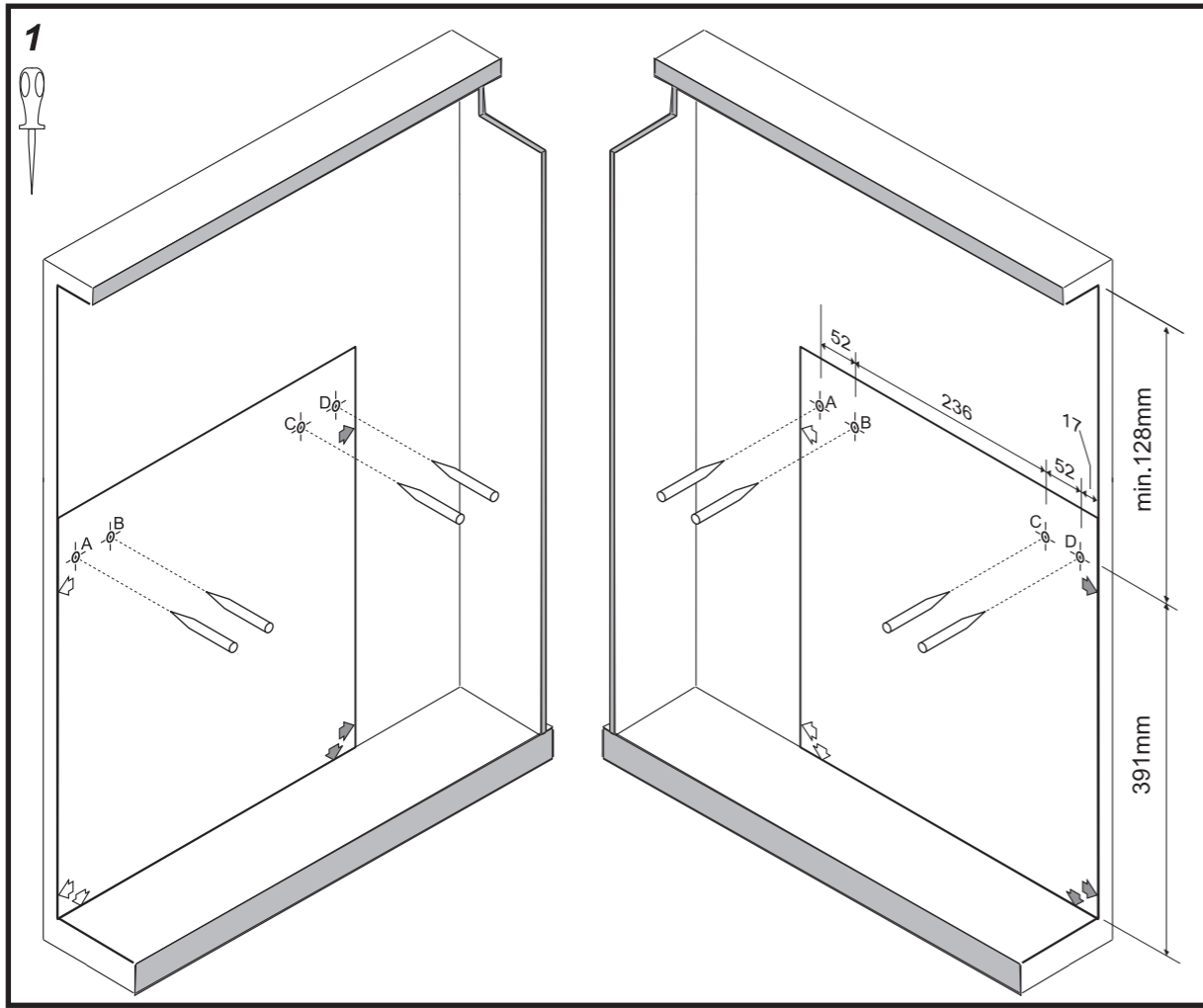
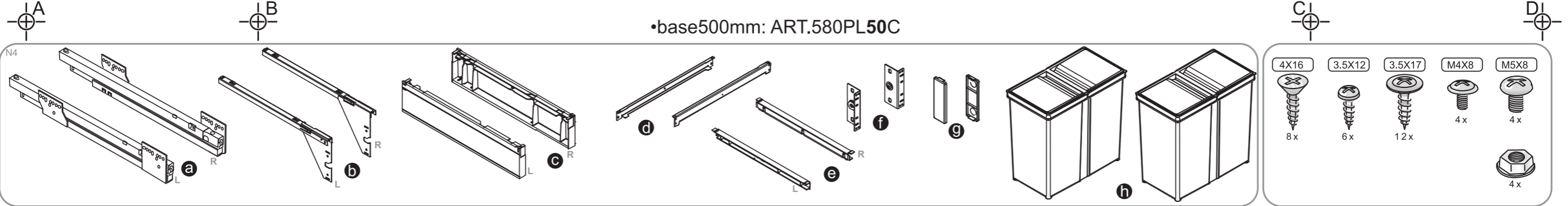


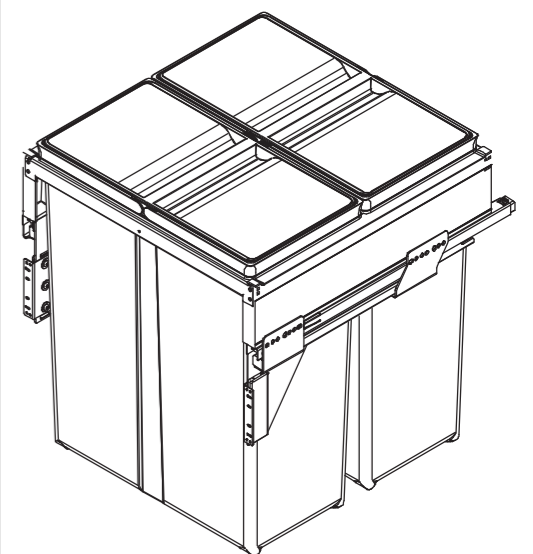
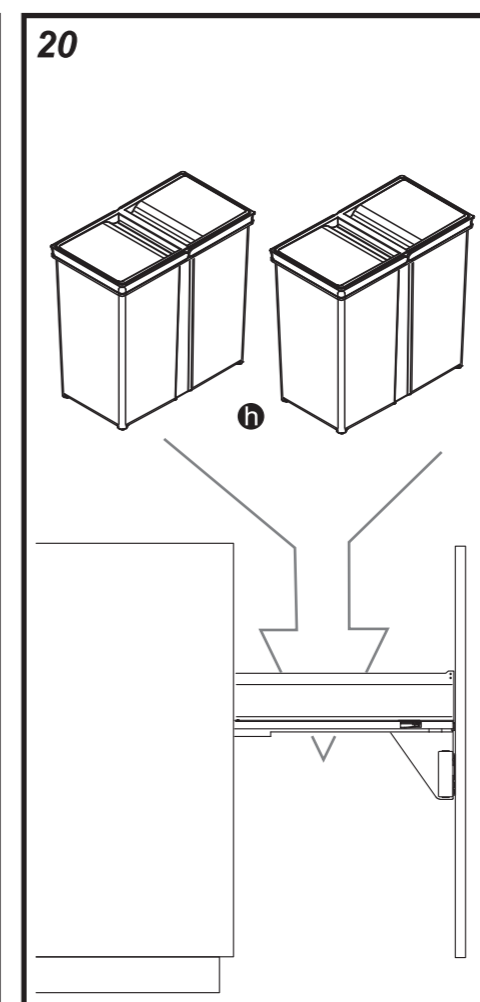
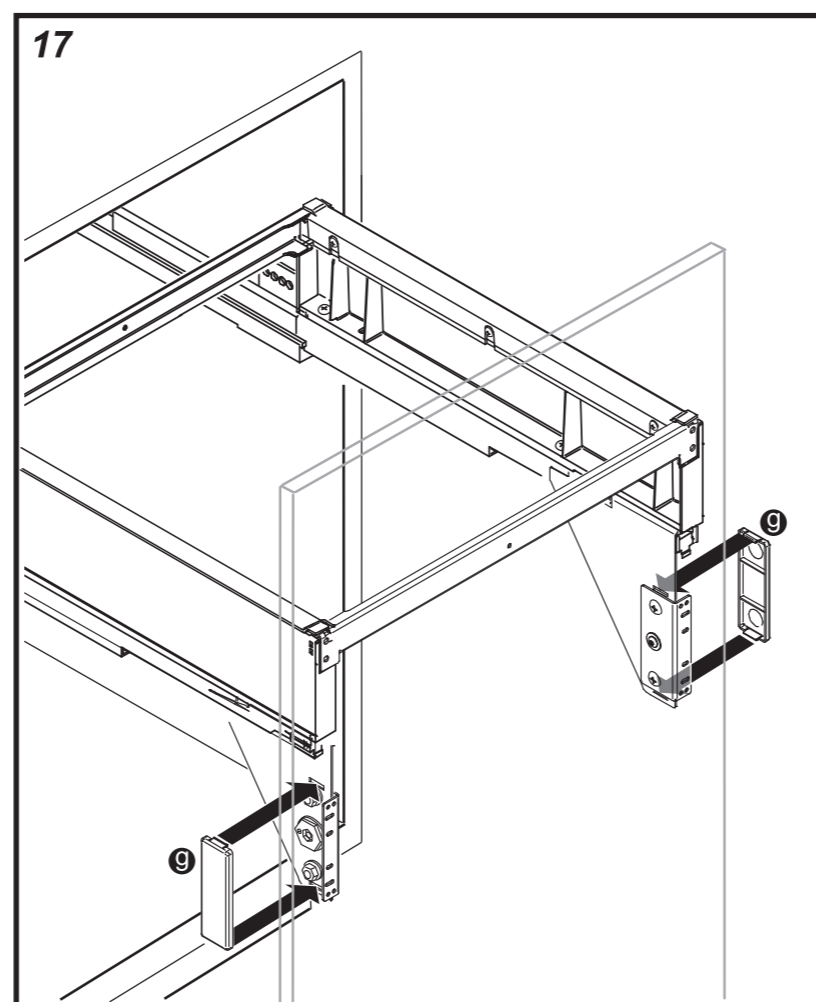
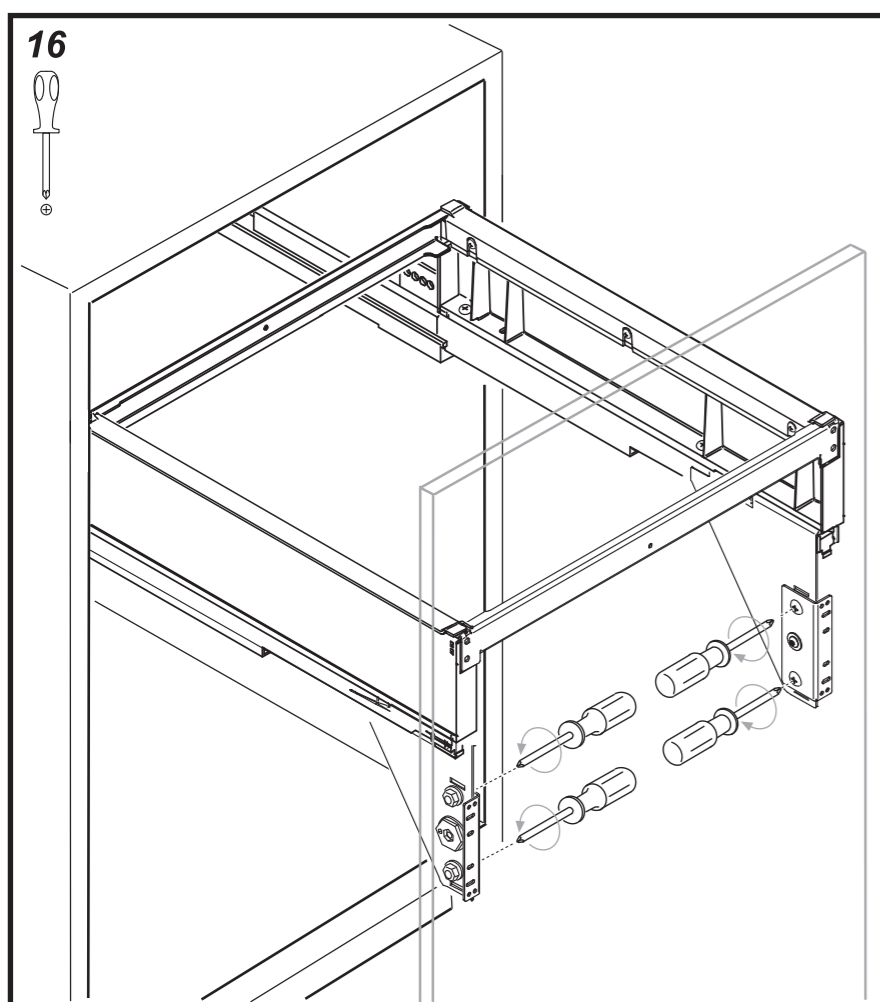
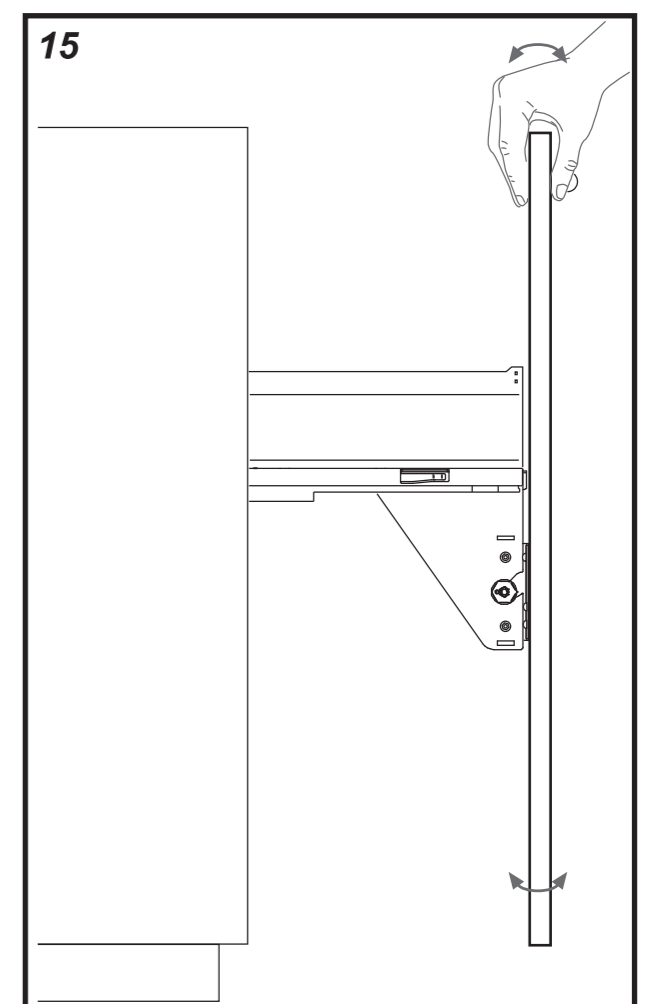
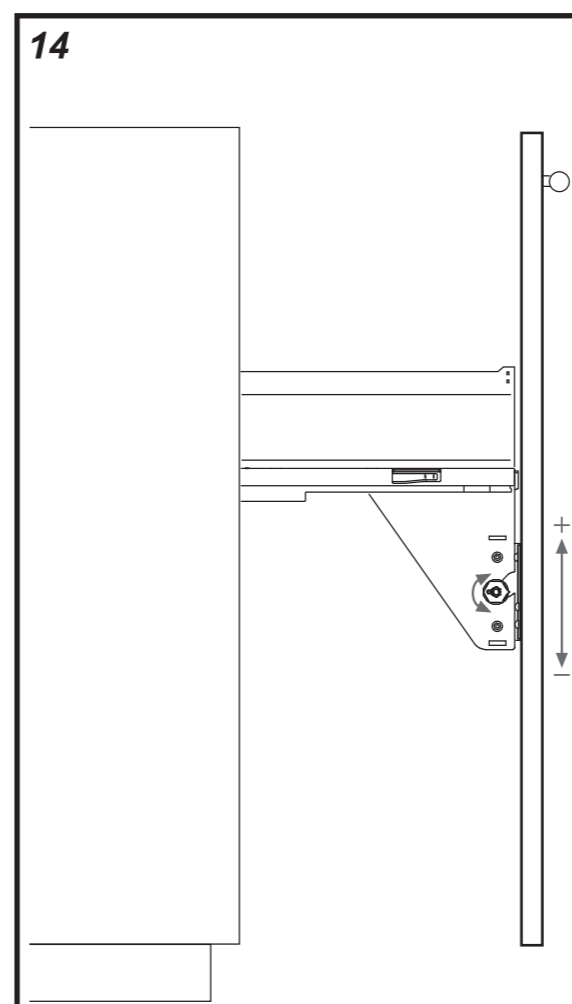
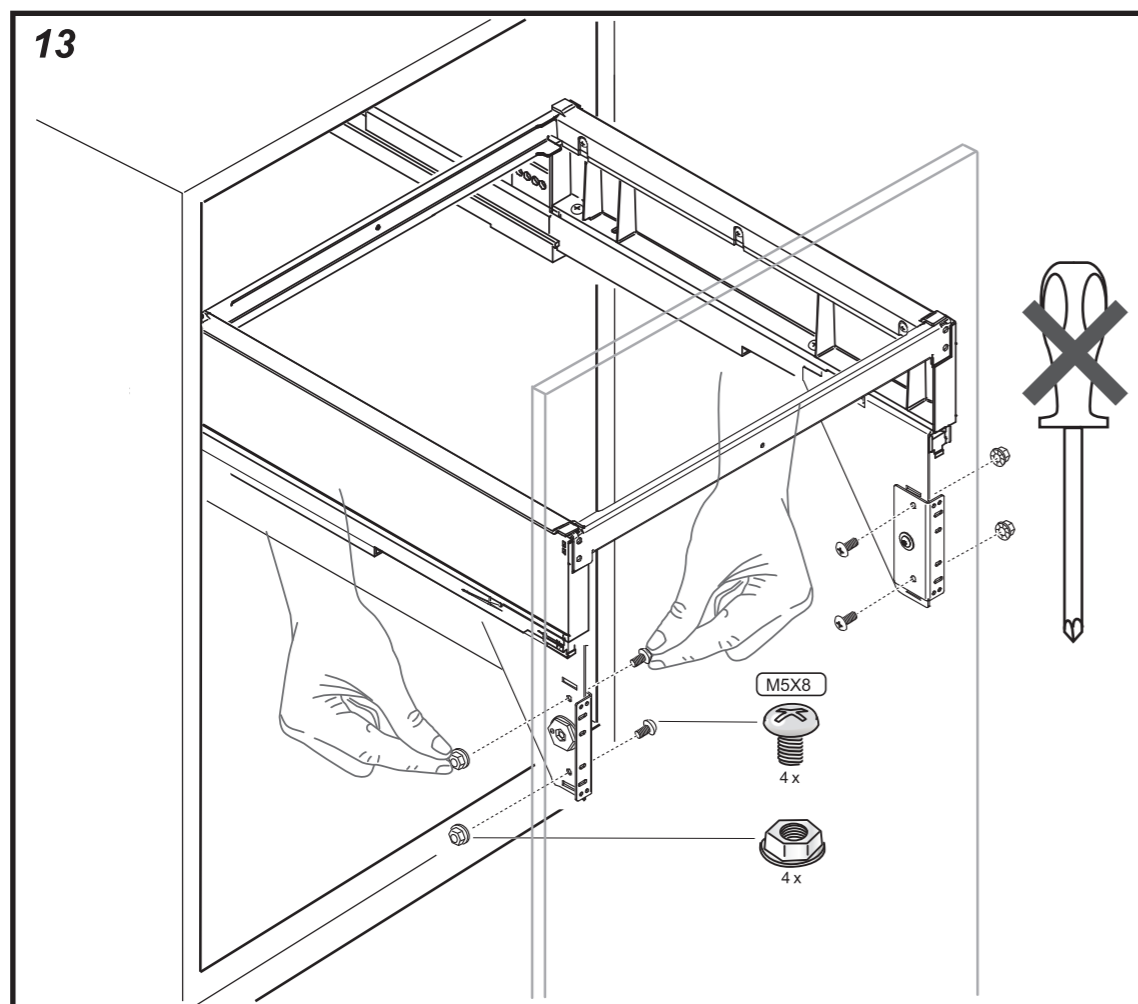
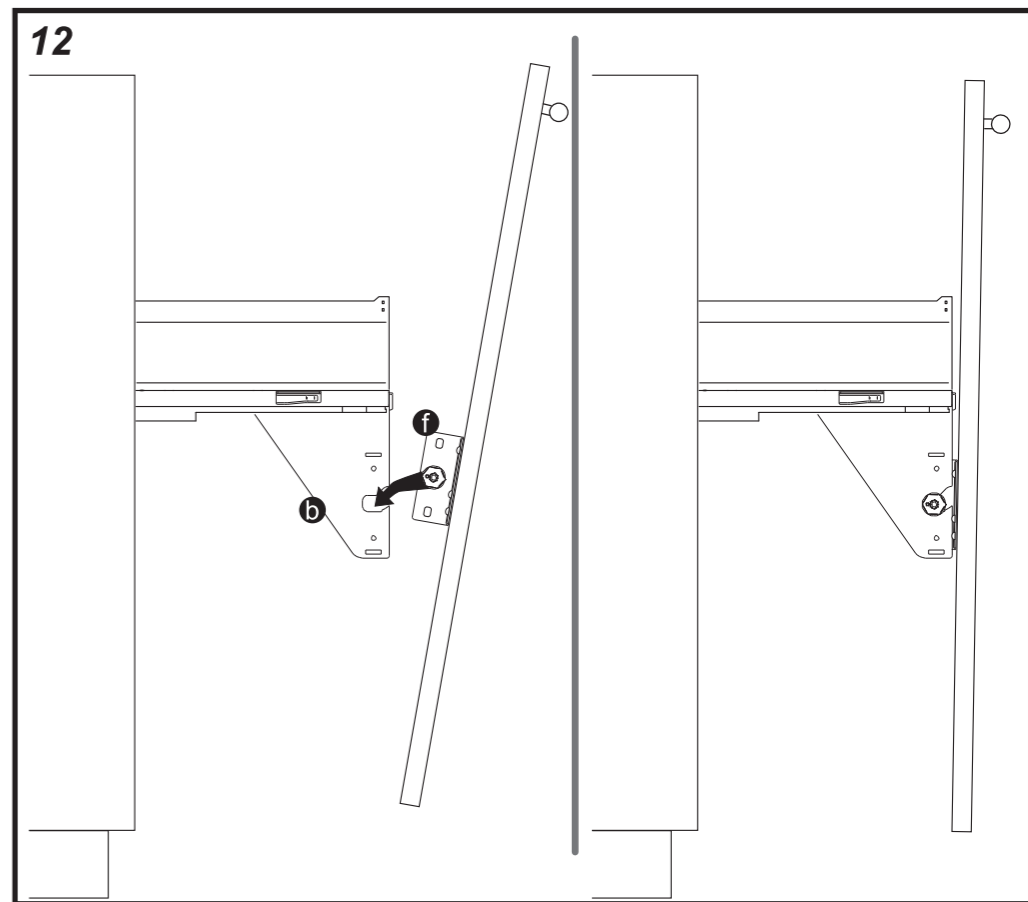
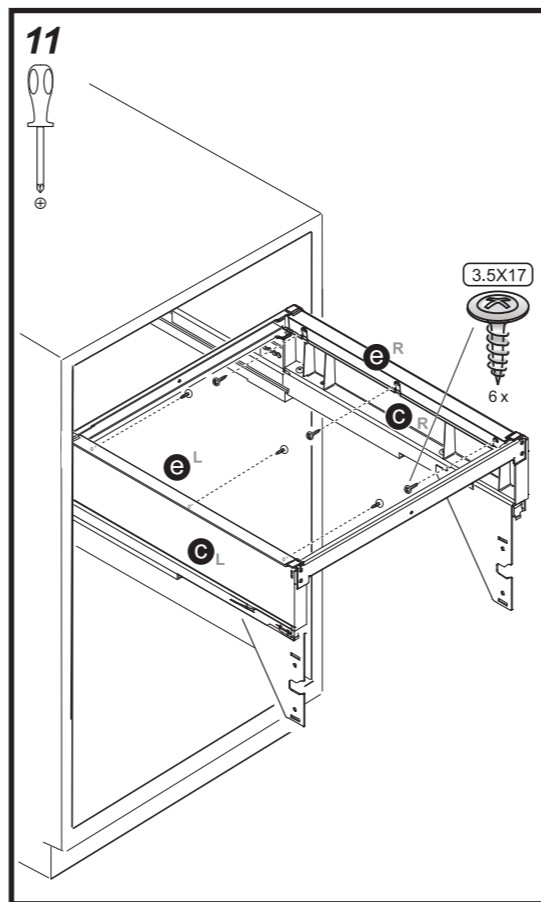
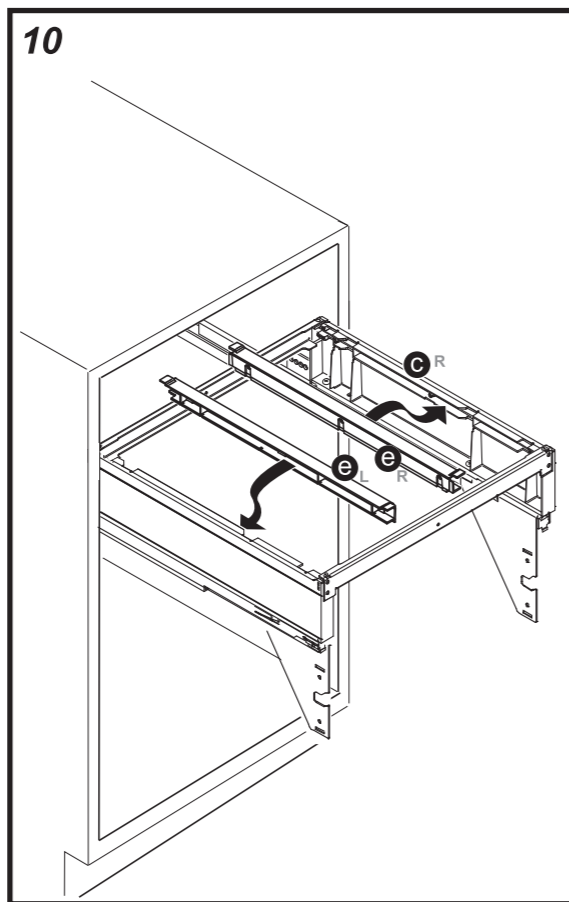
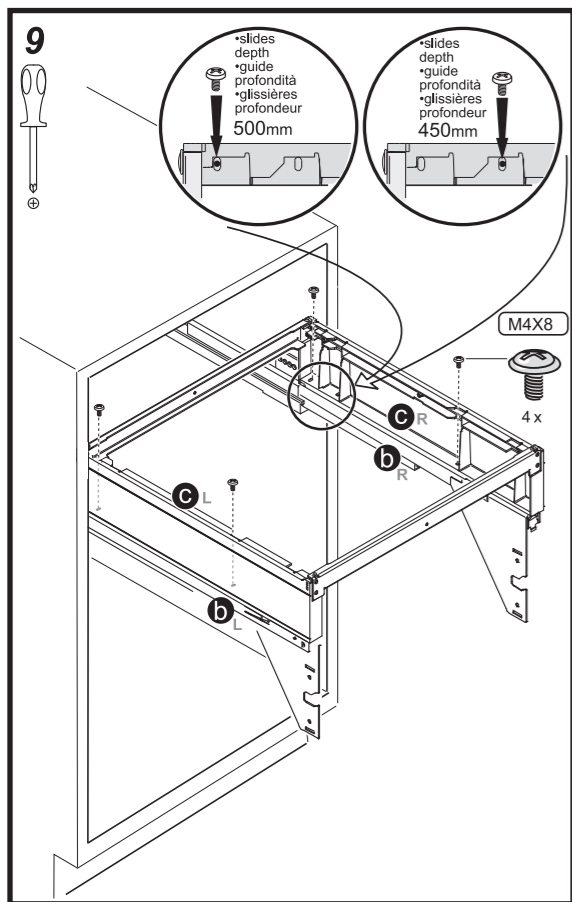


ART. 580PL30
base 300

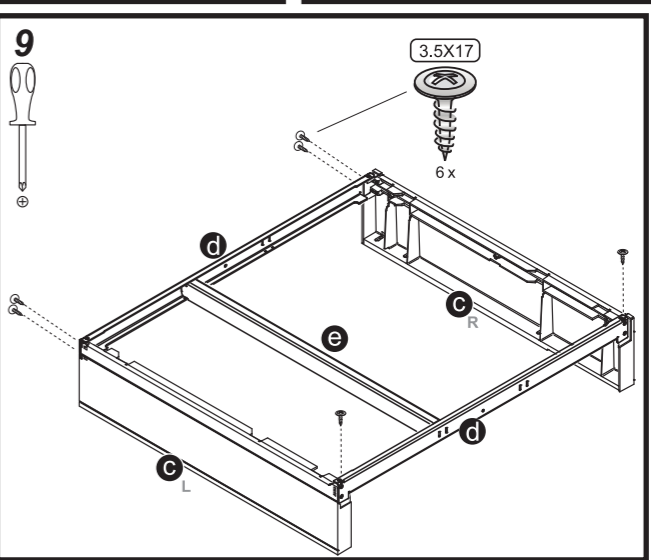
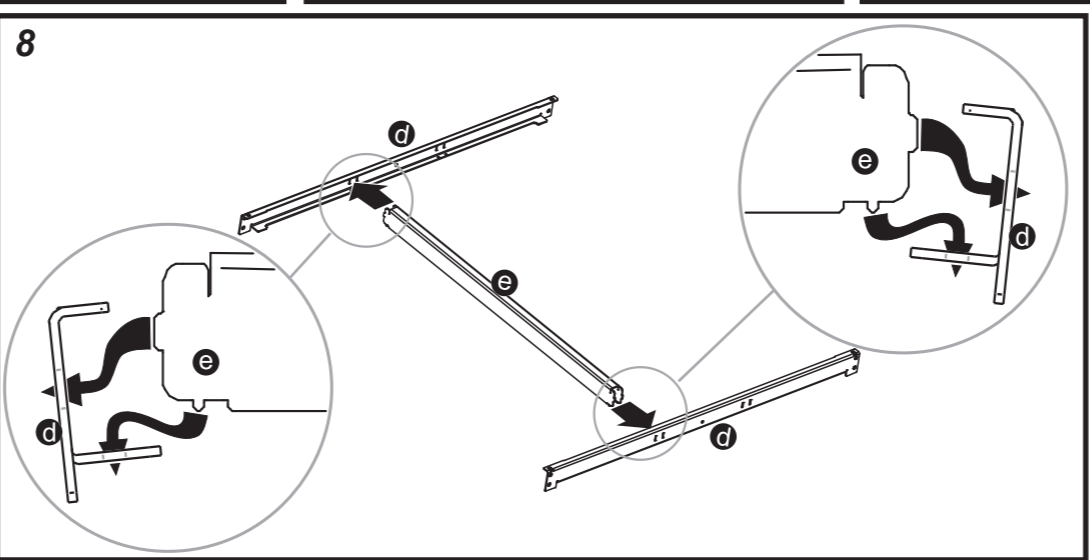
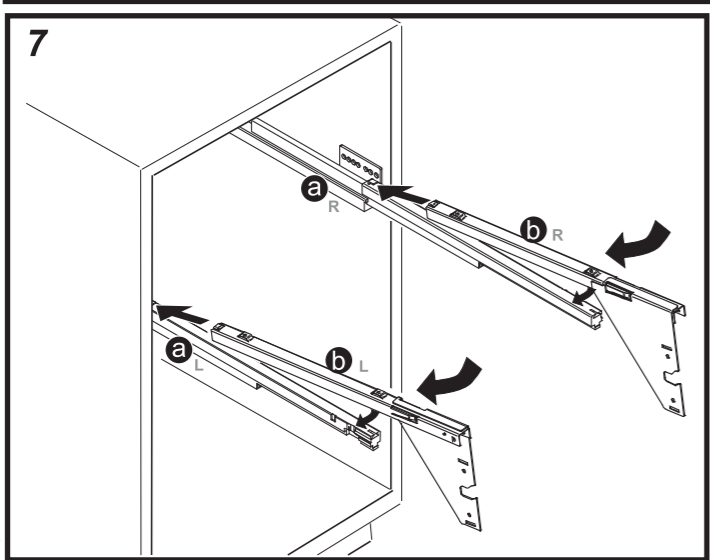
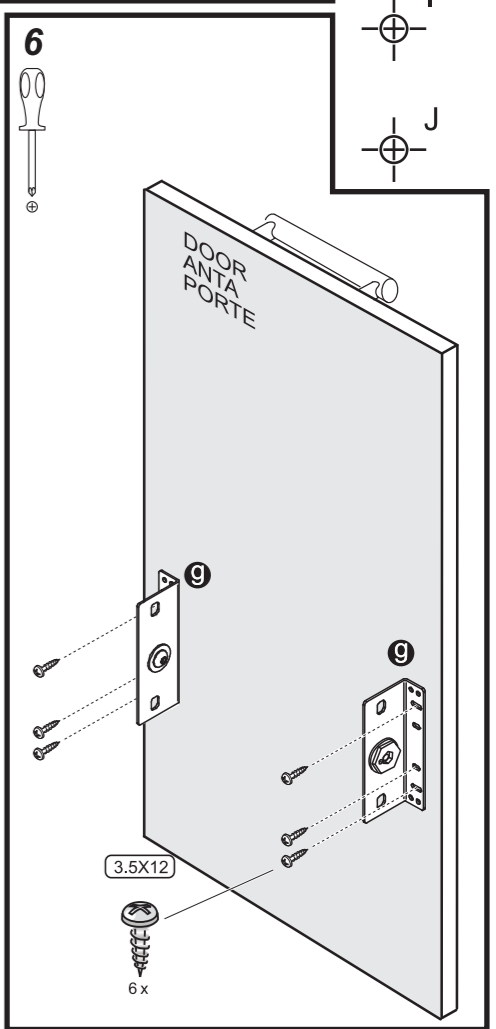
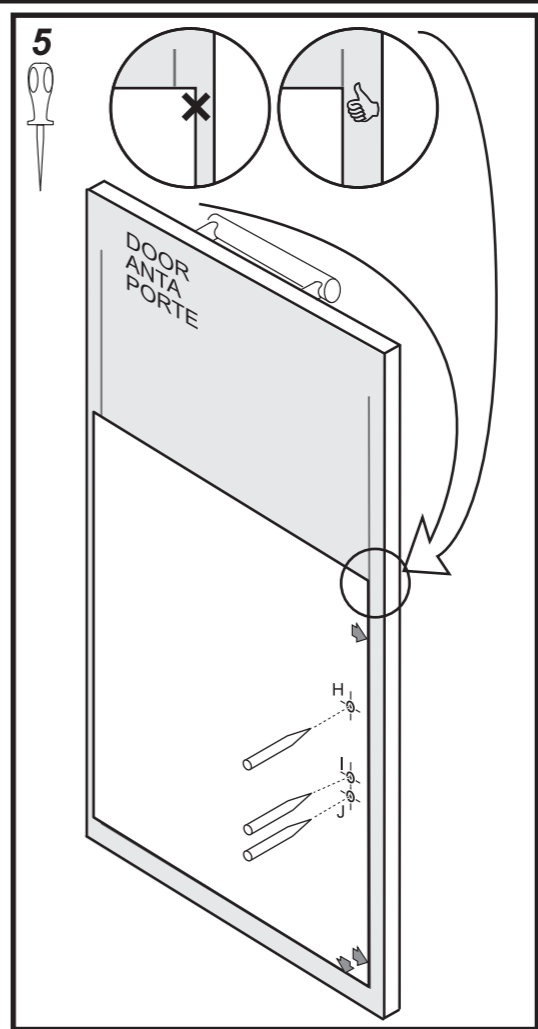
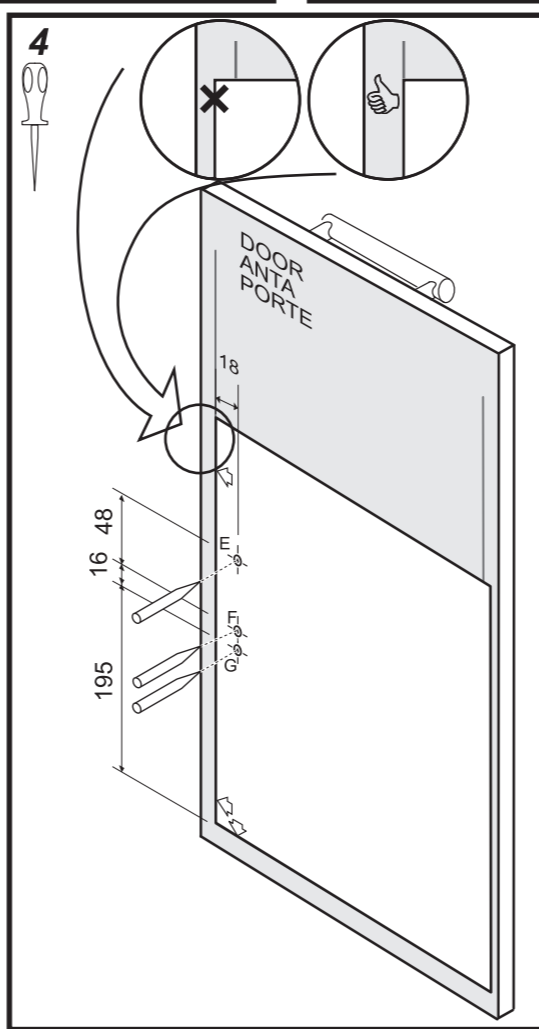
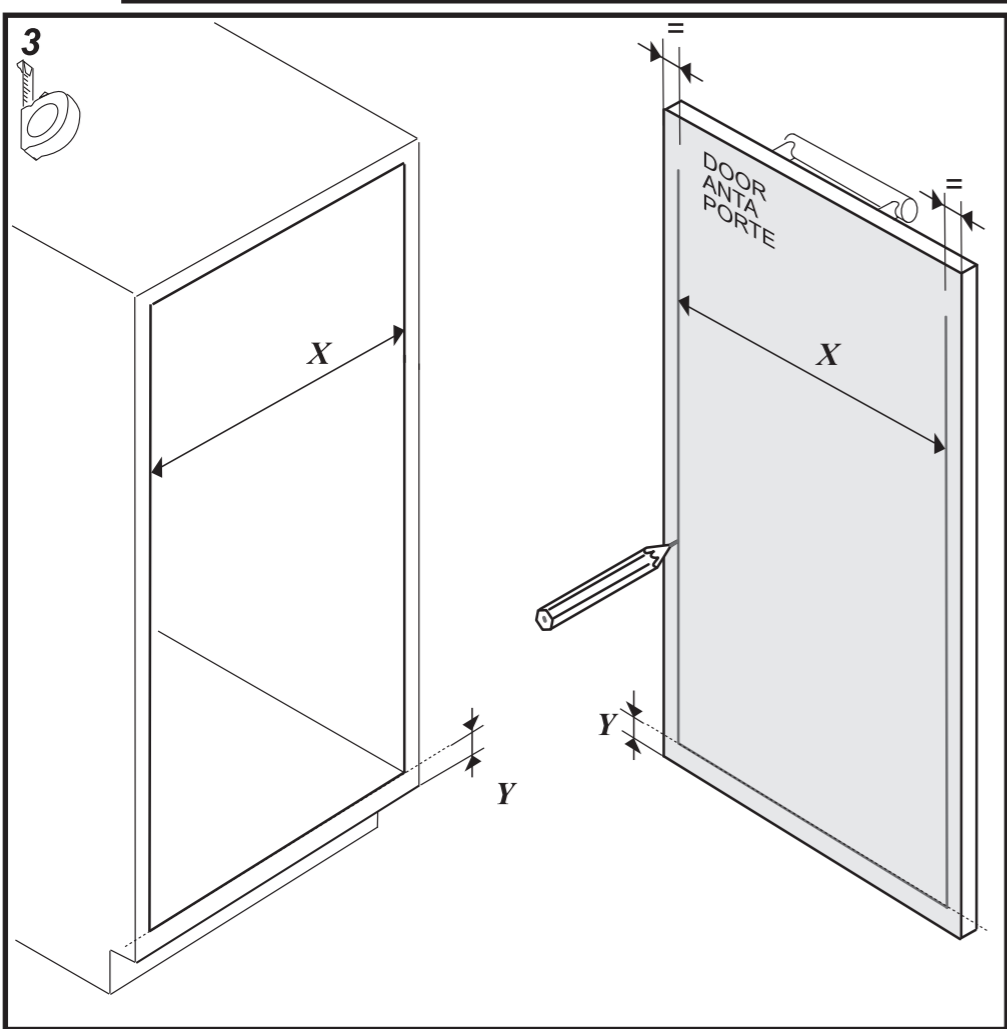
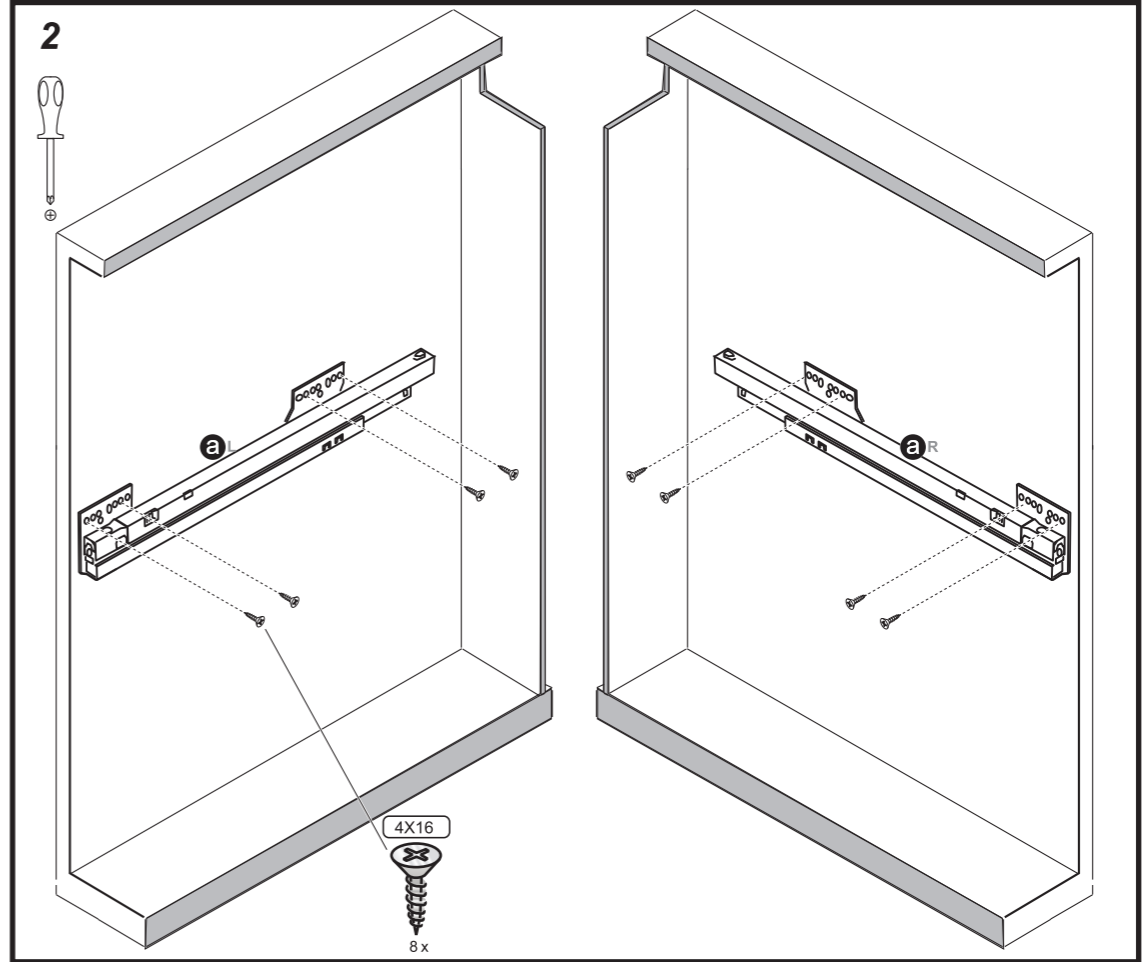
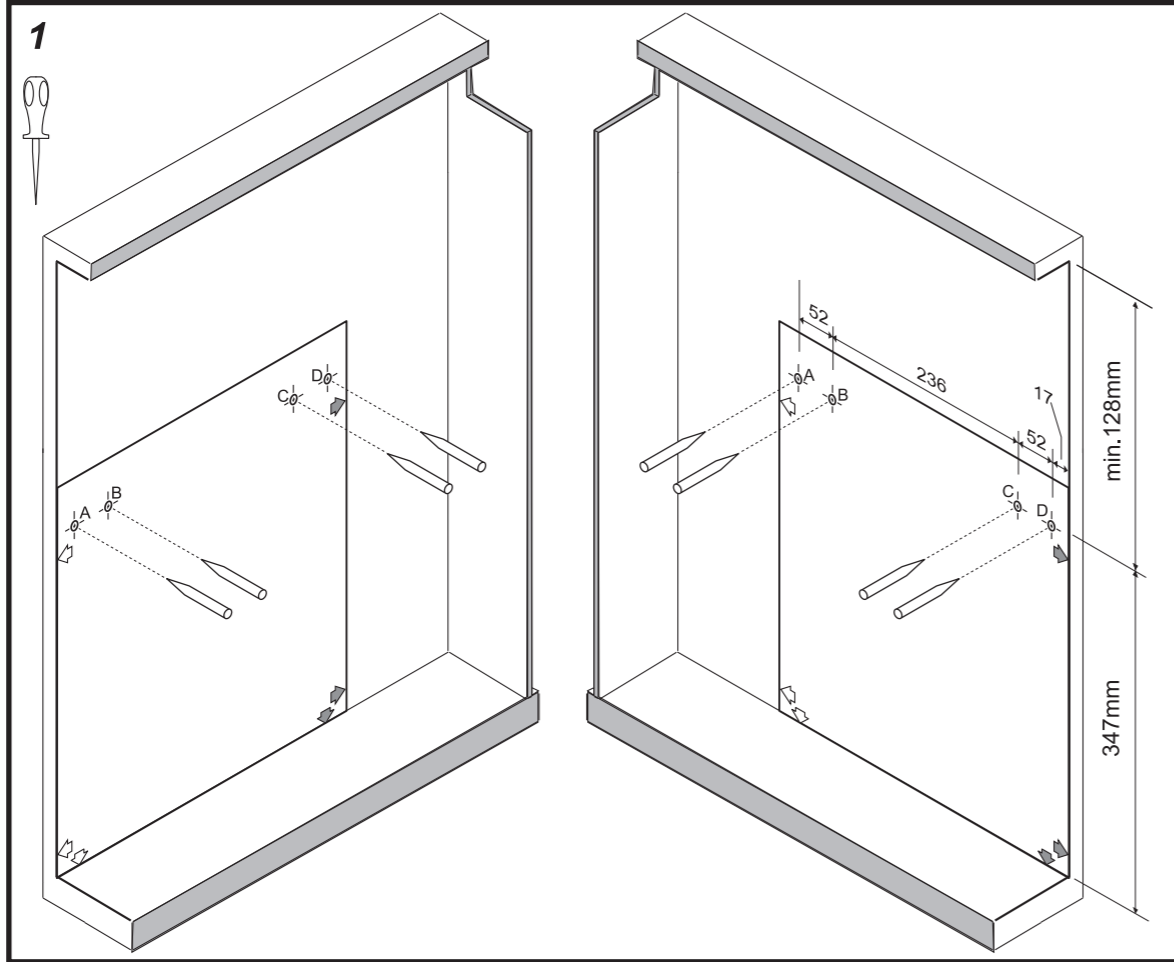
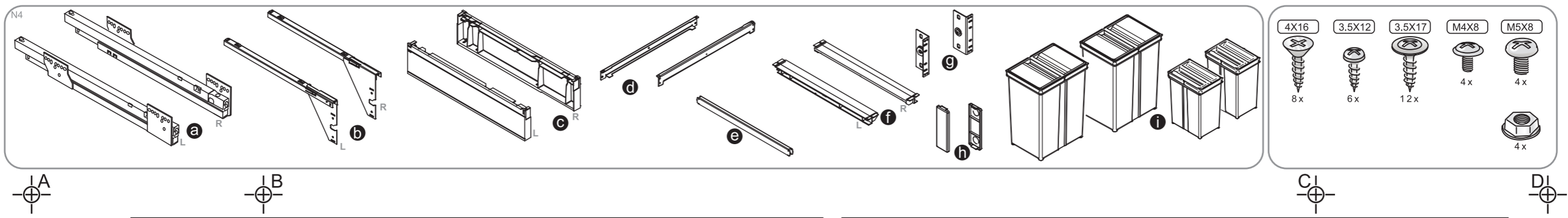


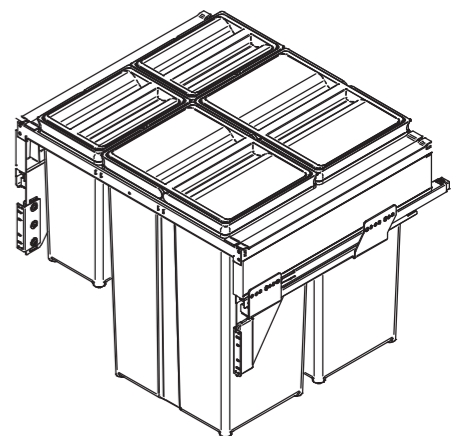
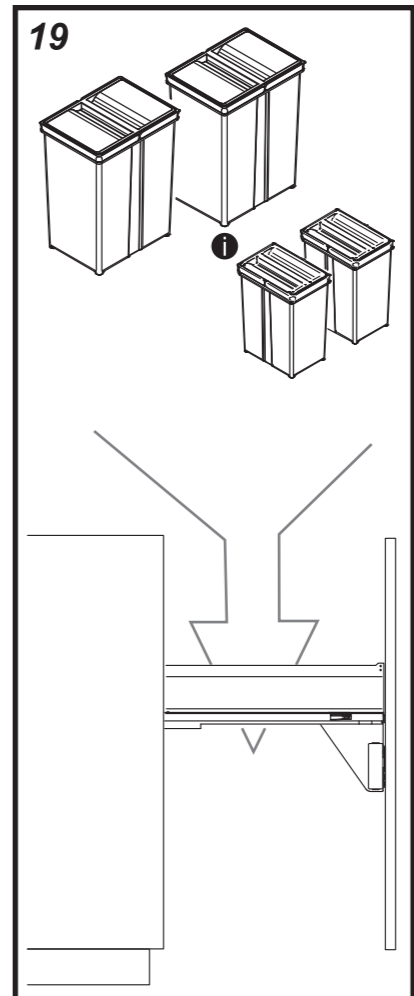
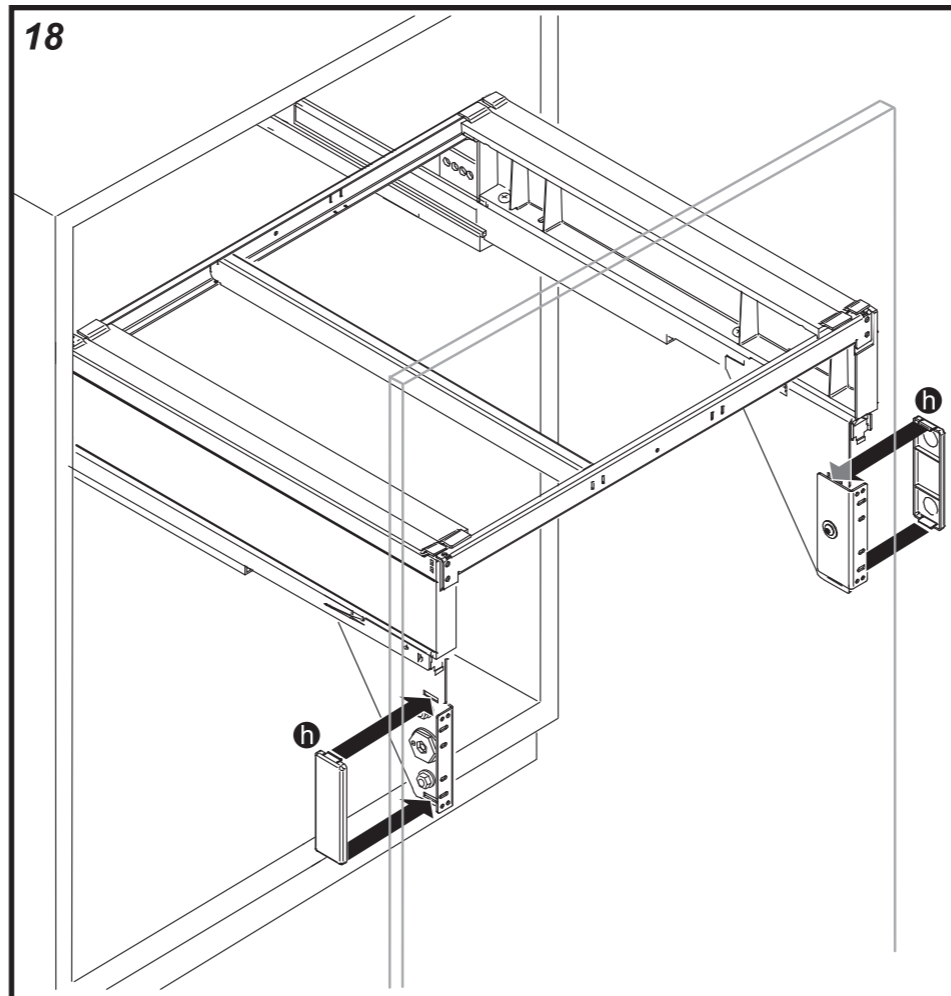
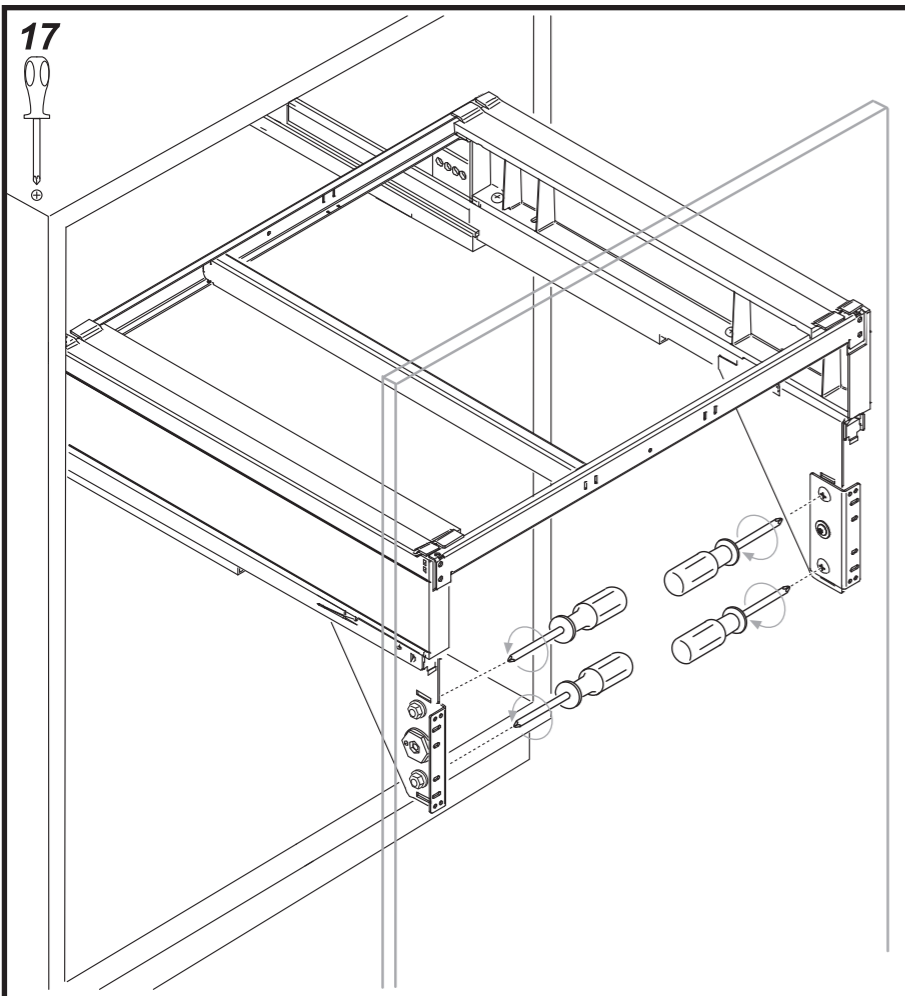
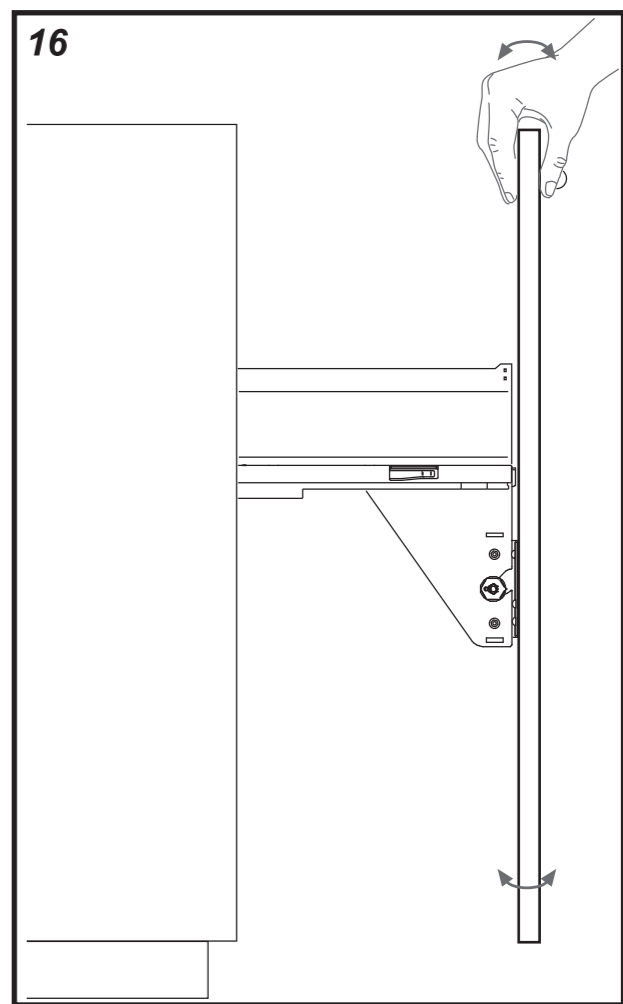
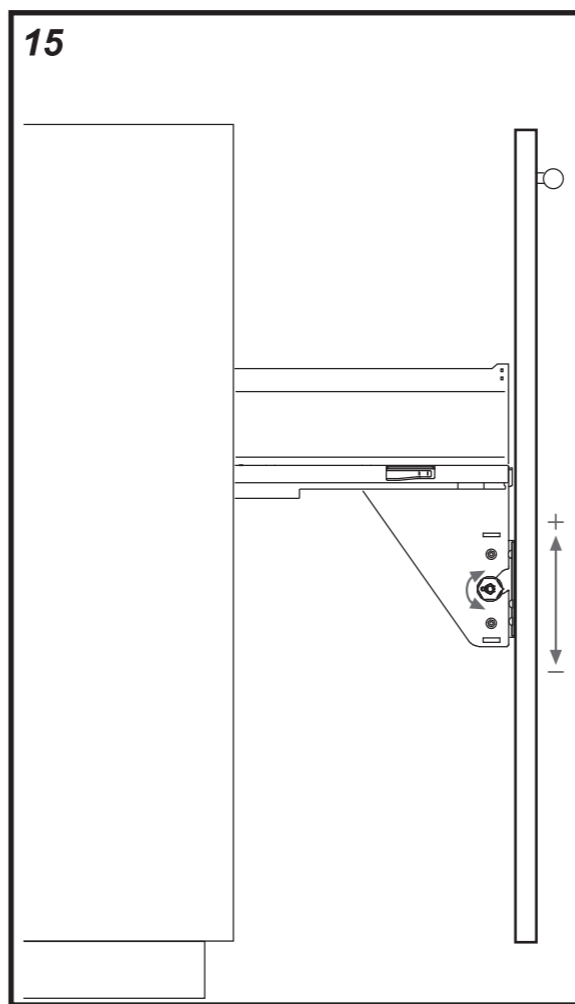
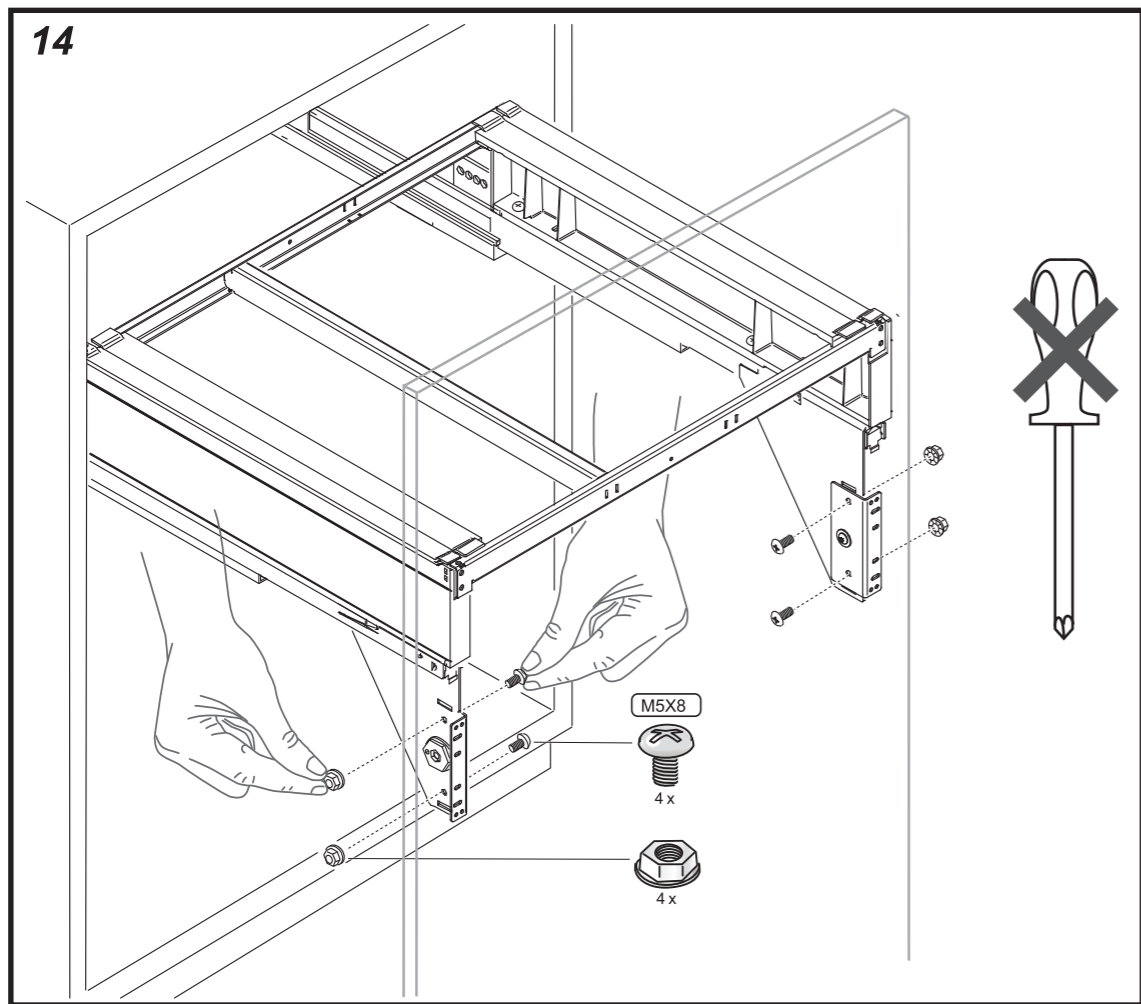
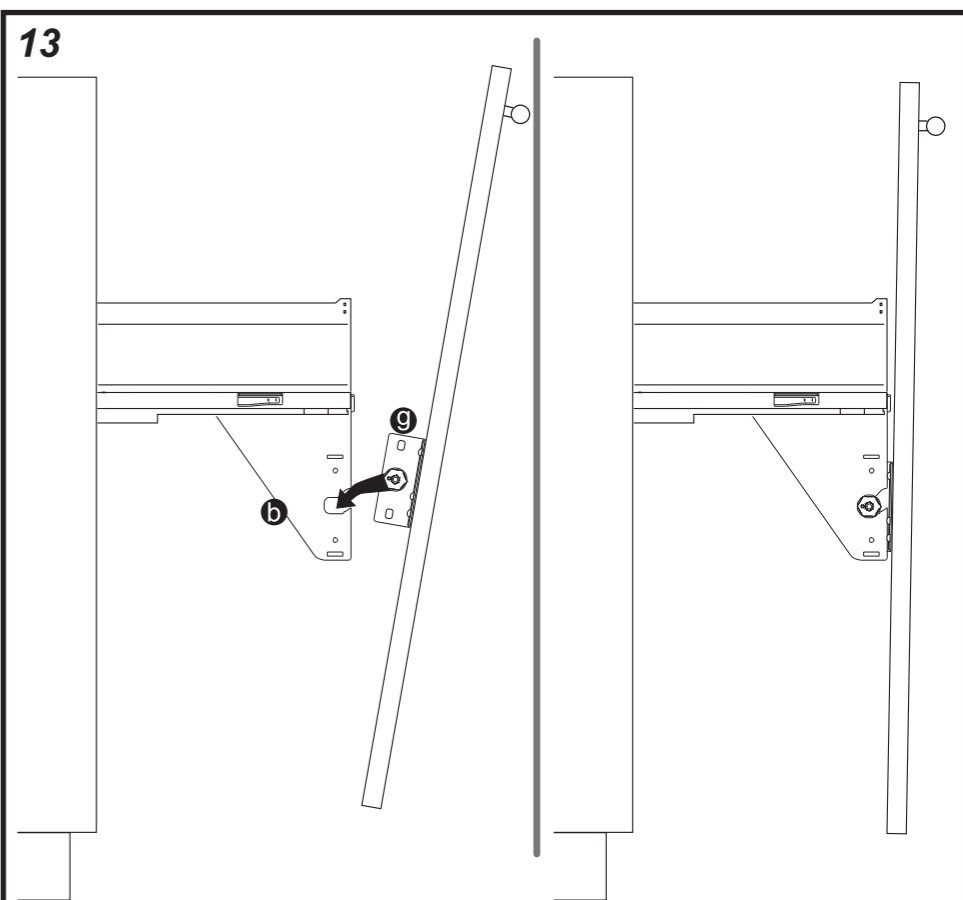
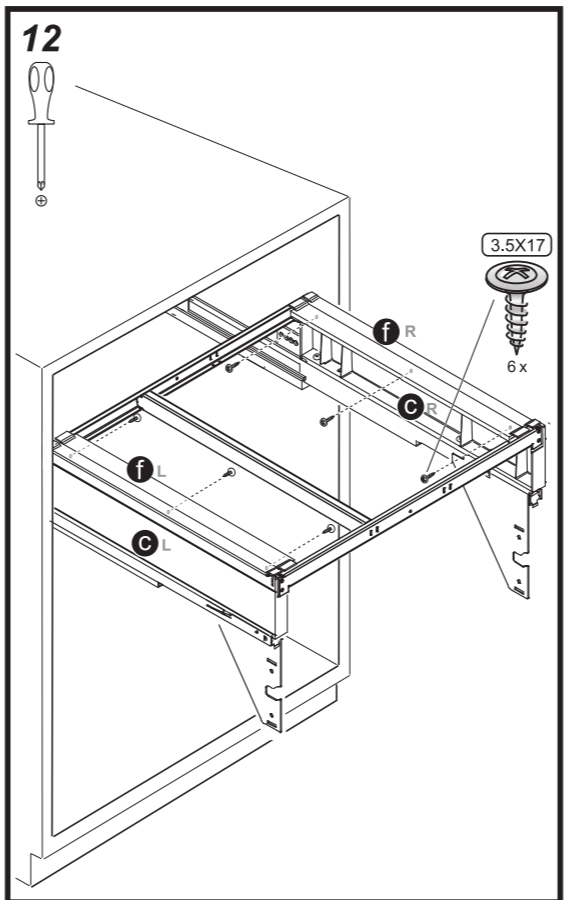
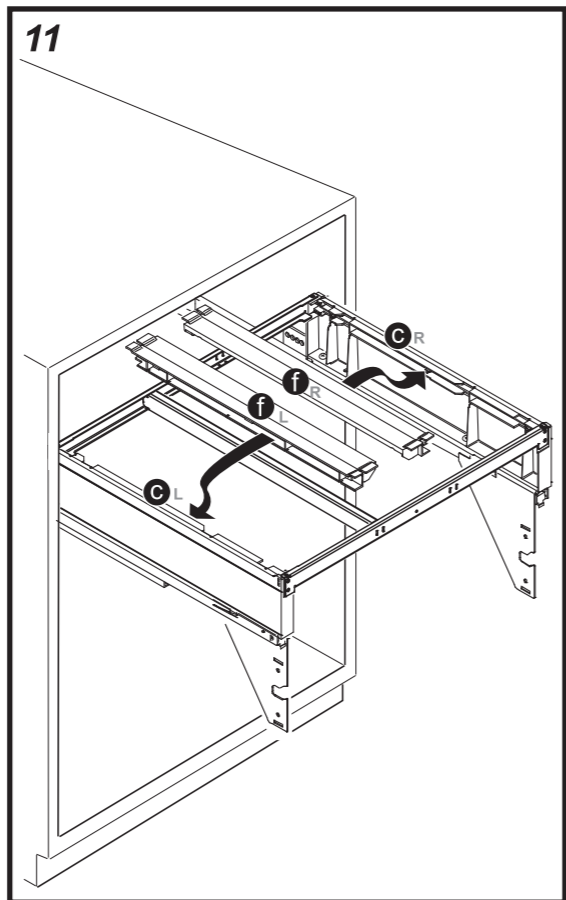
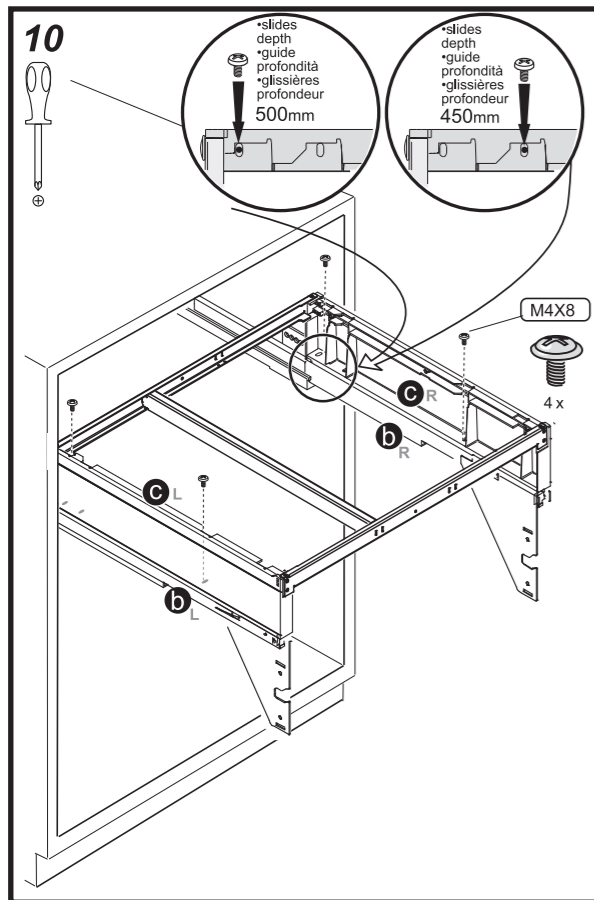


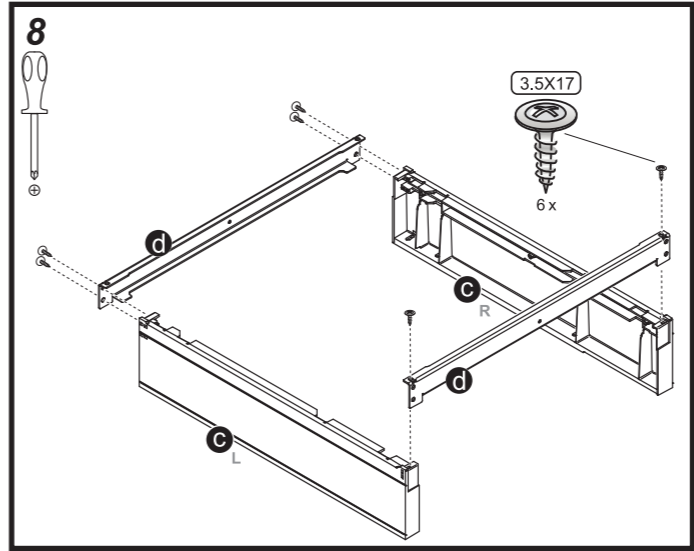
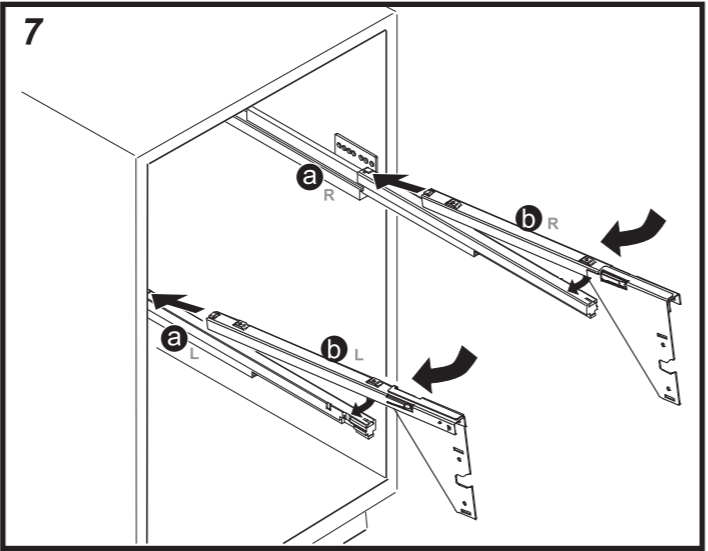
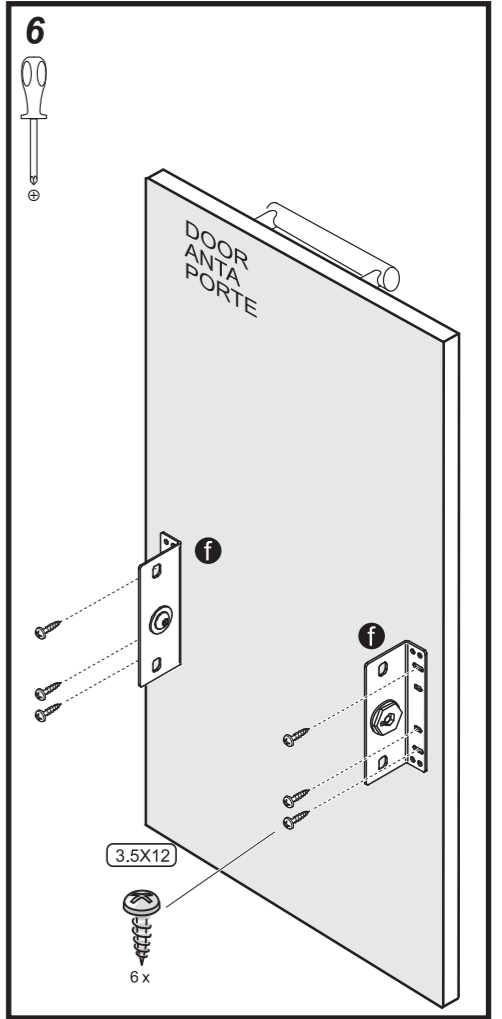
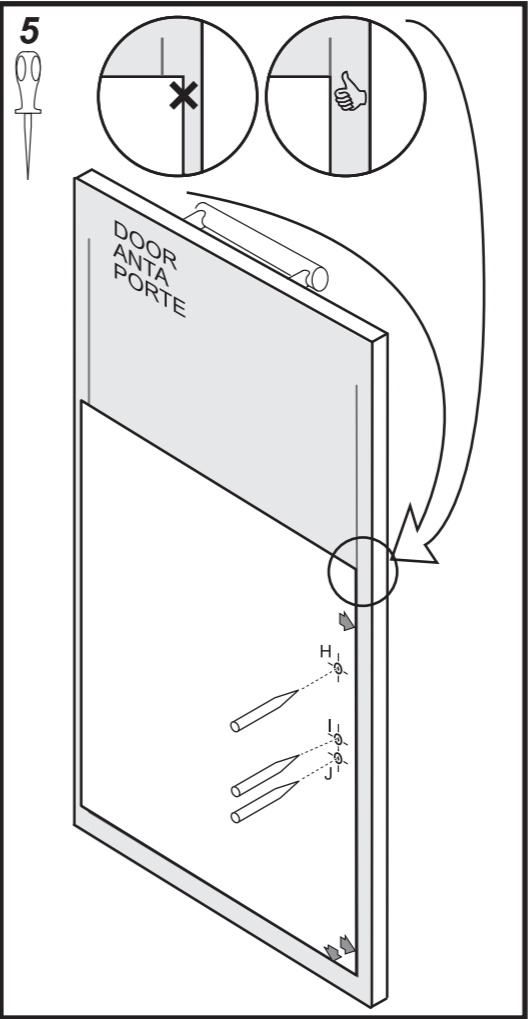
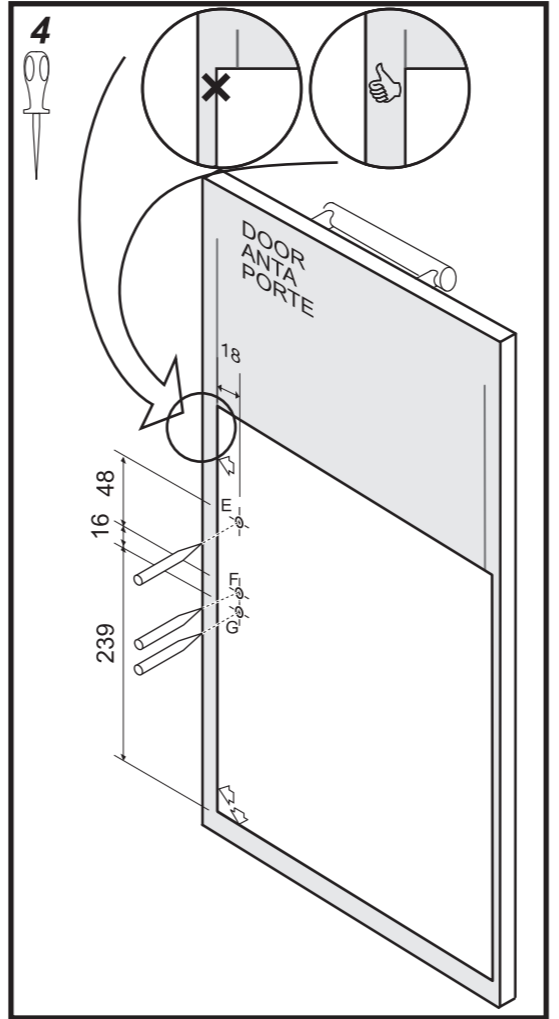
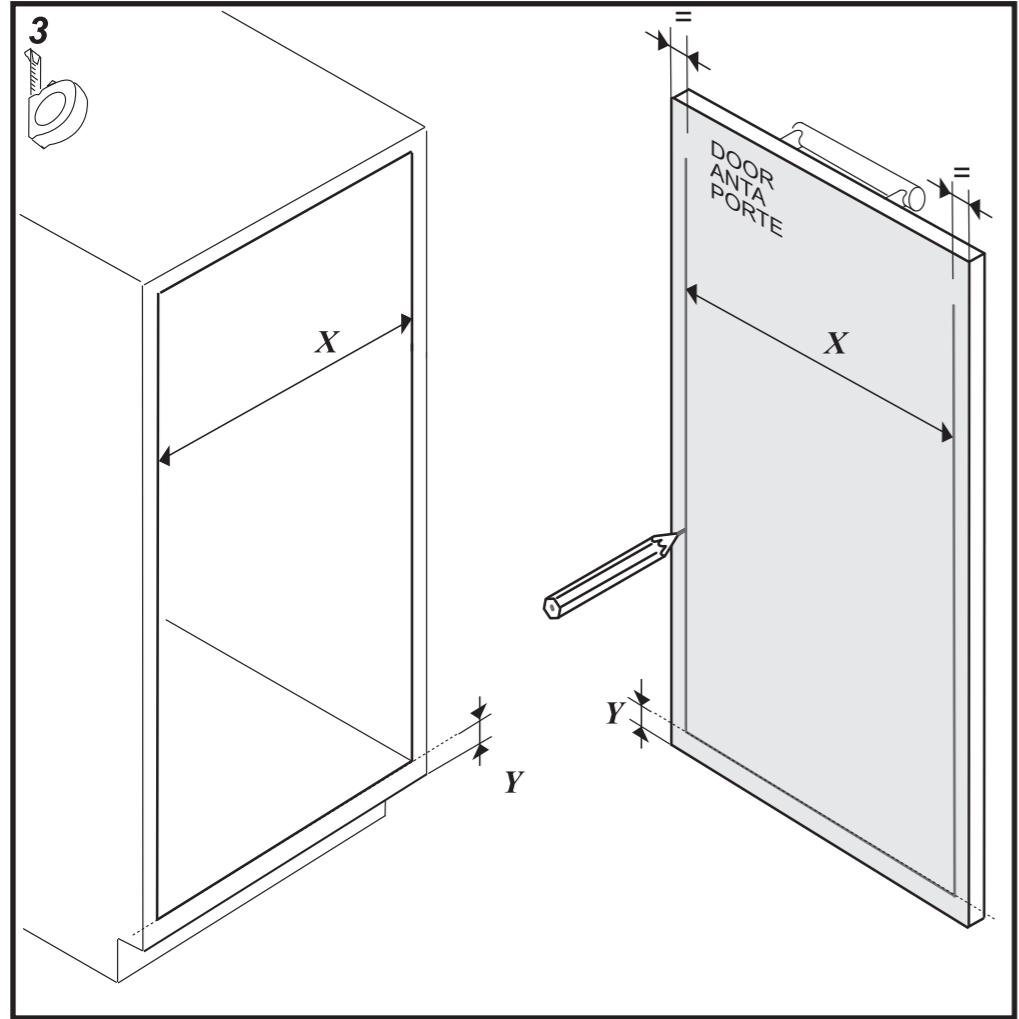
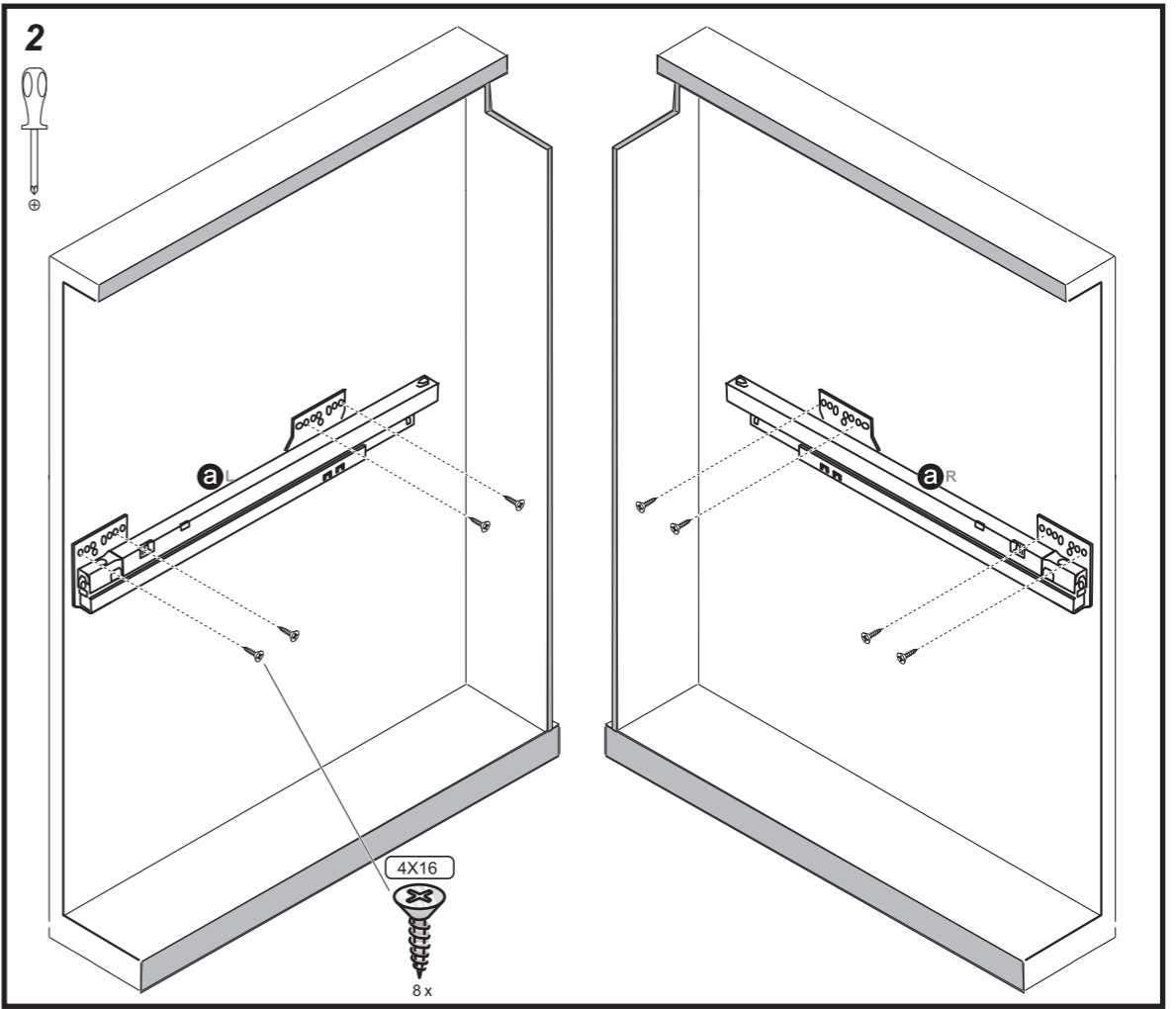
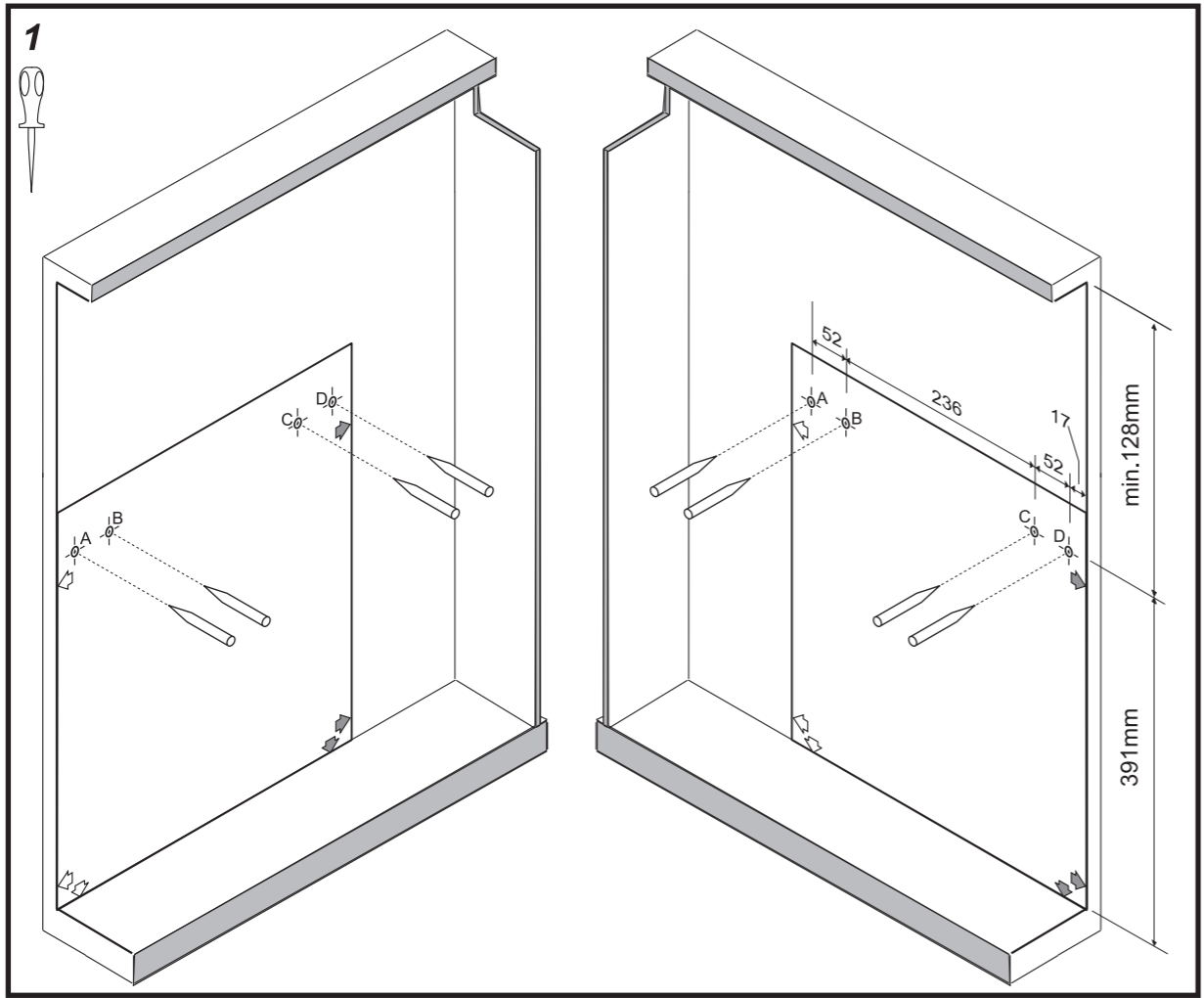
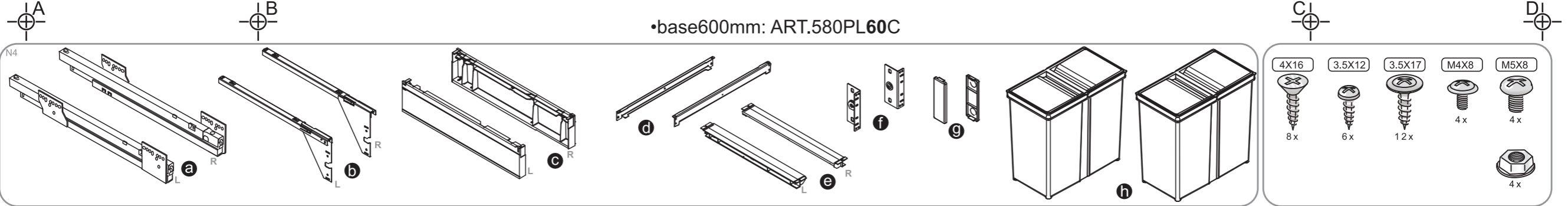


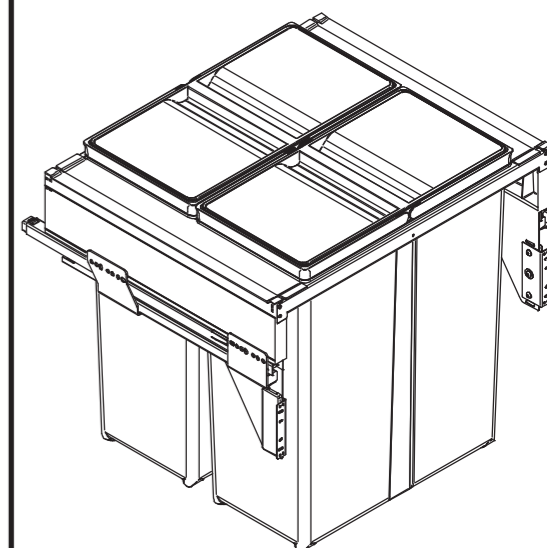
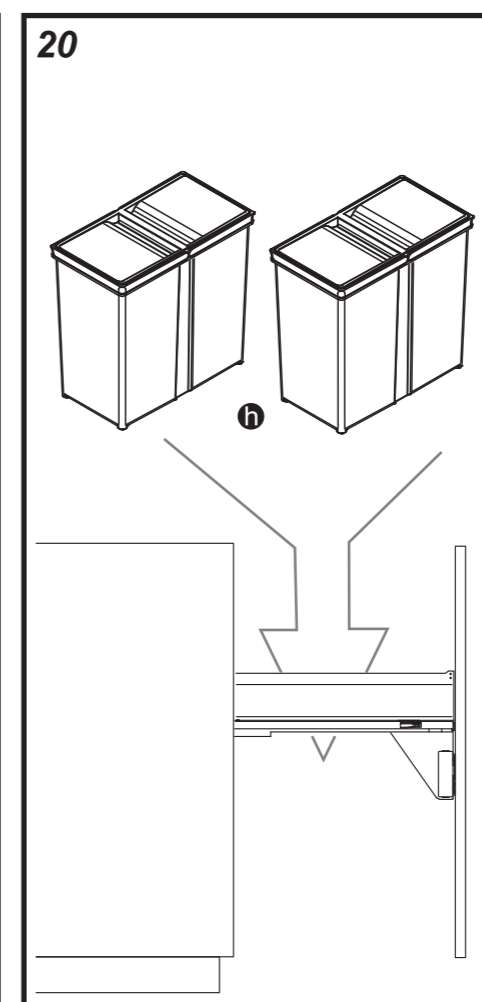
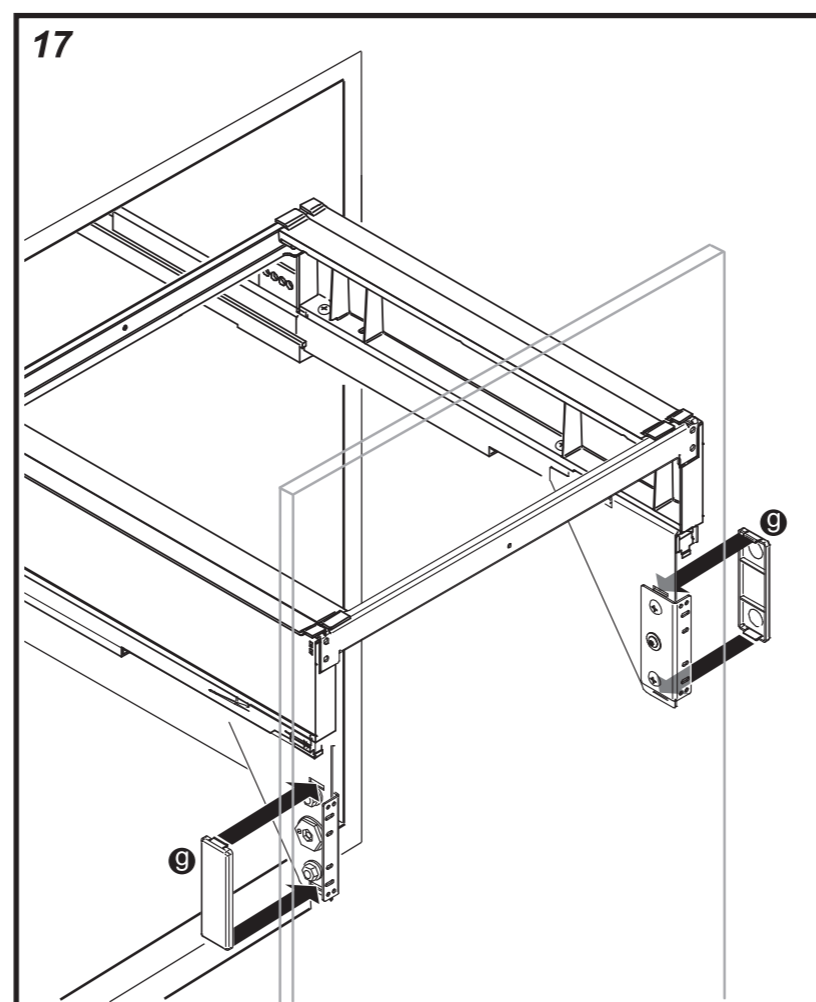
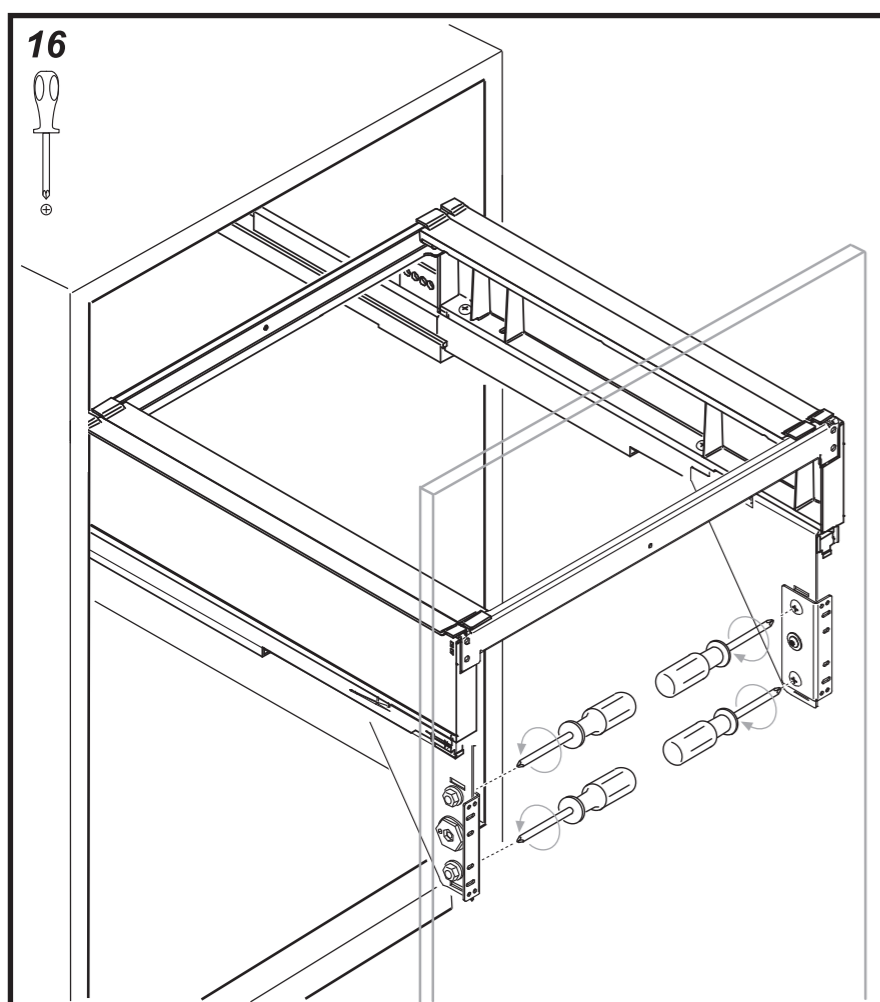
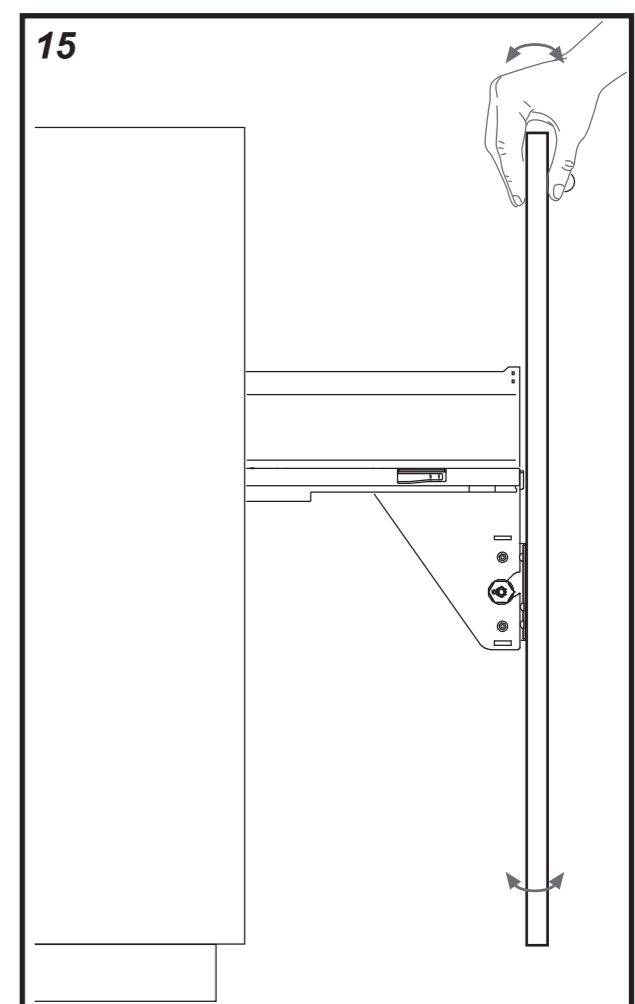
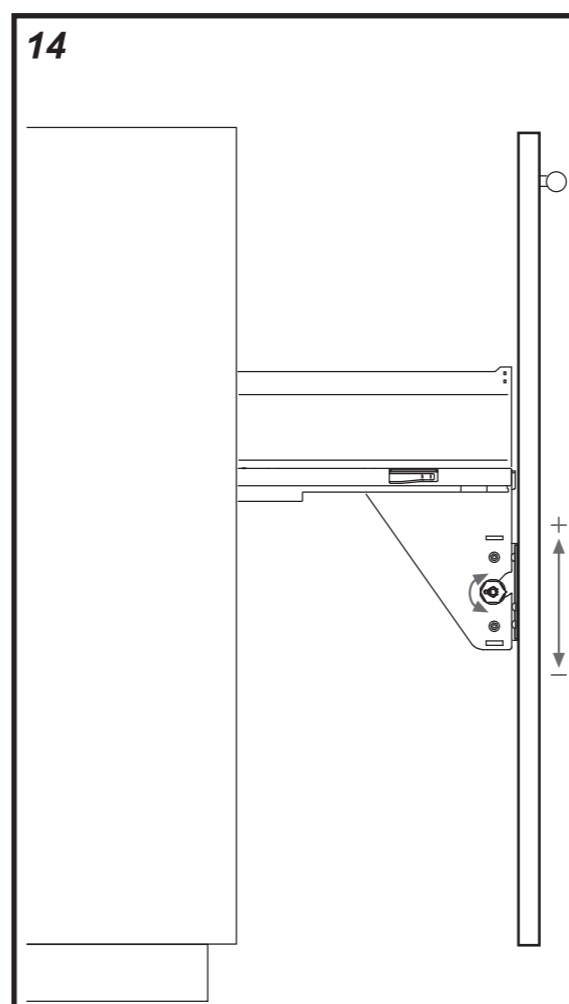
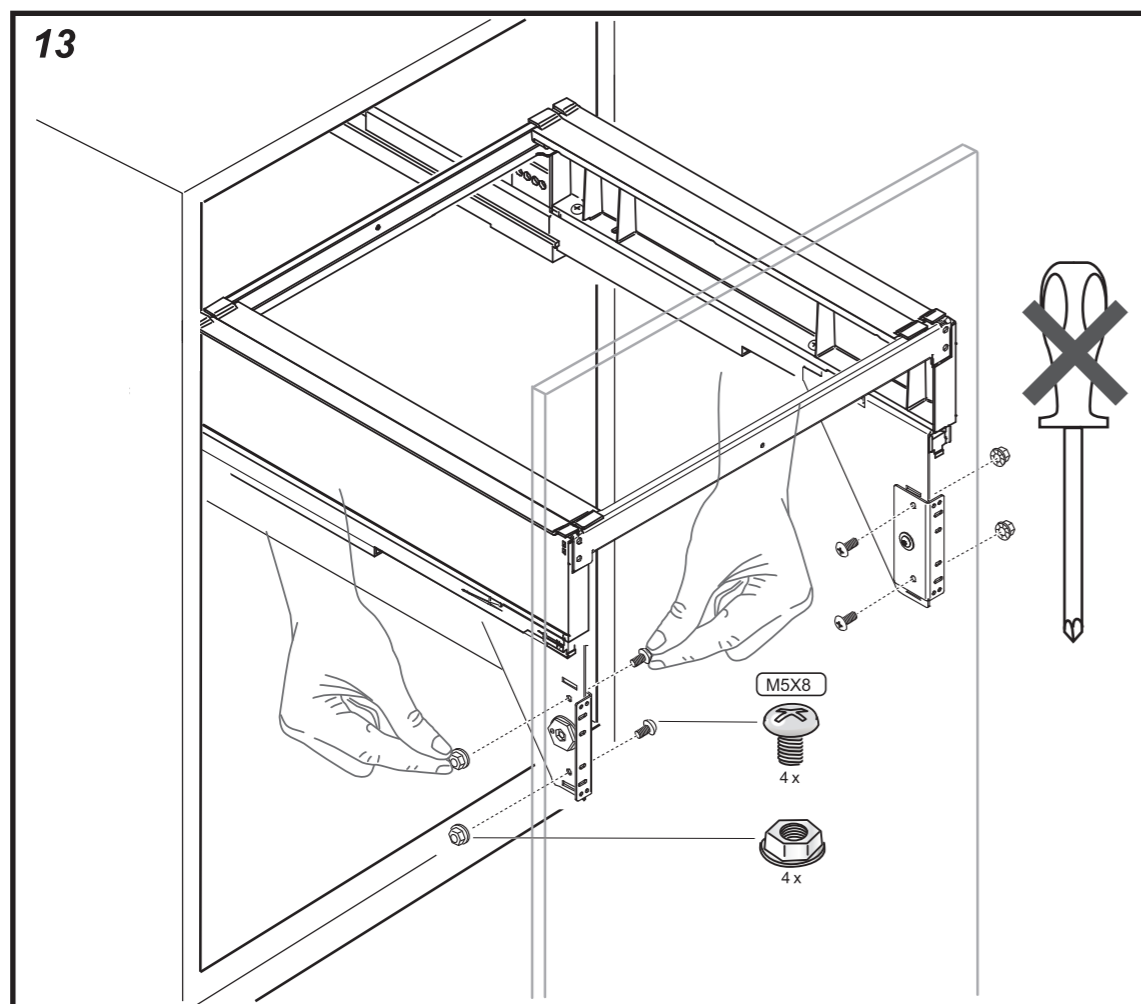
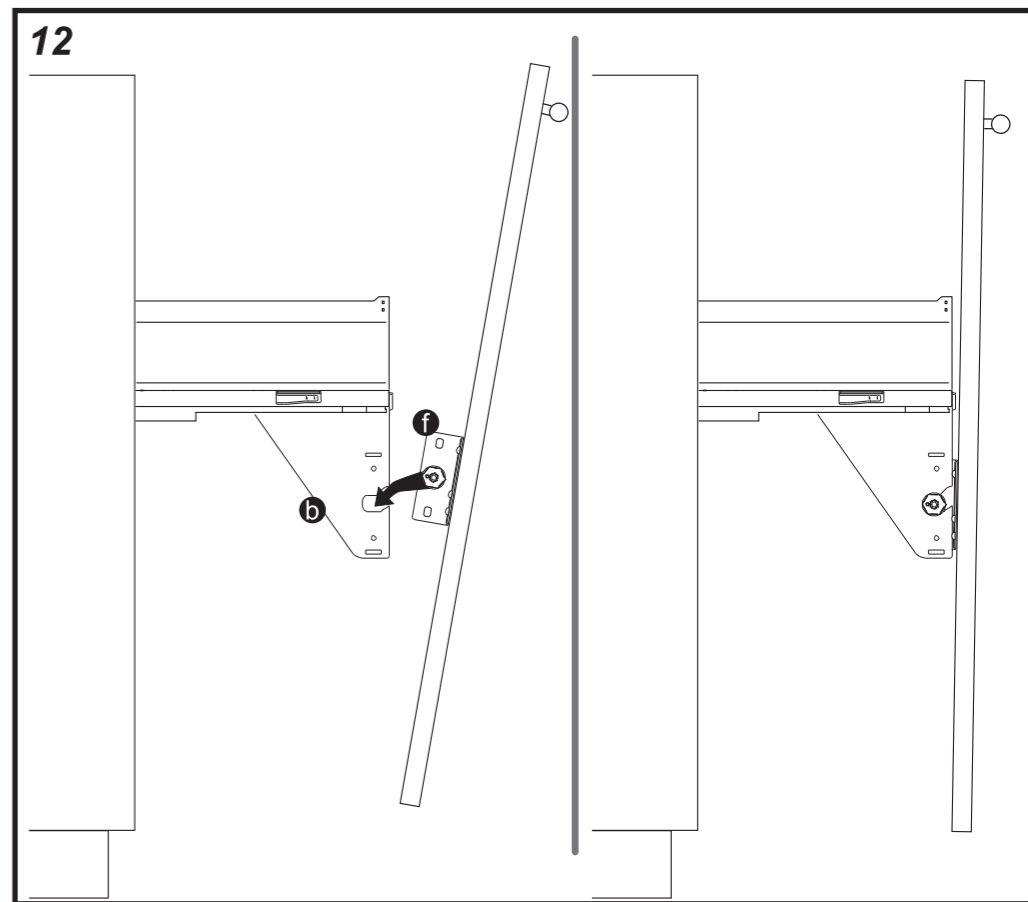
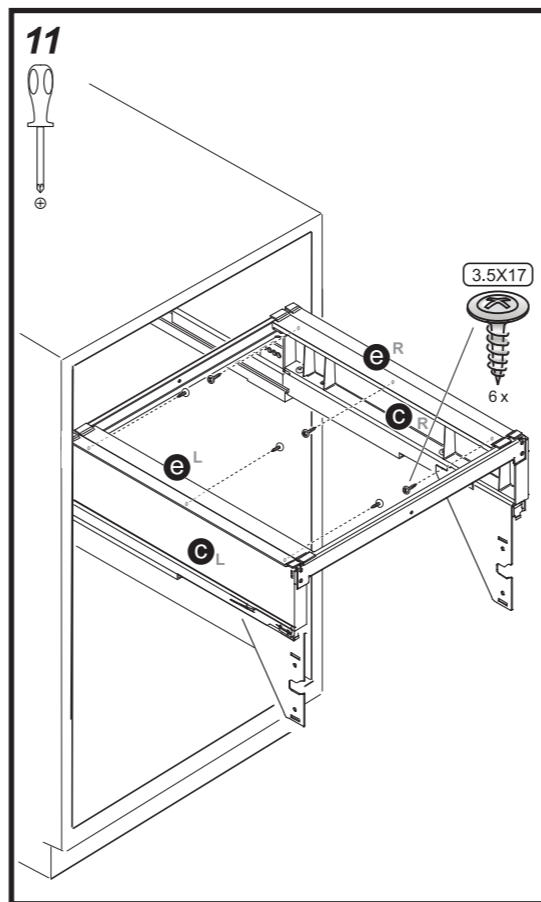
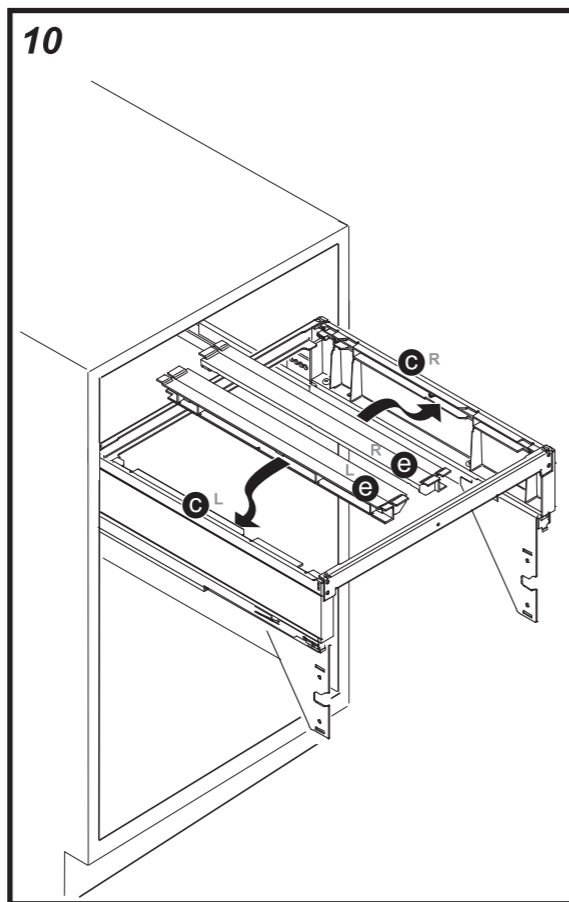
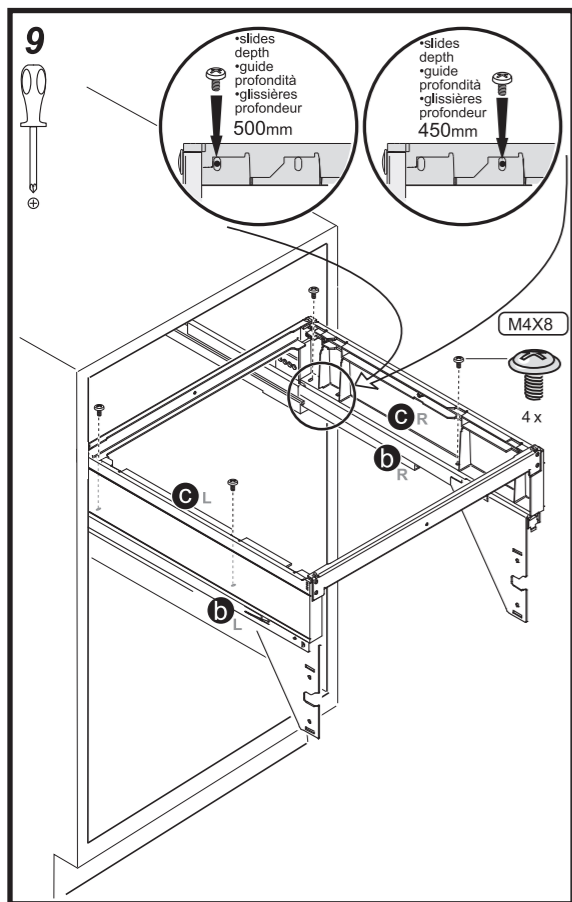


ART.580PL50C (H506)
base 500









ART.580PL60C (H506)
base 600